

Check out our new website for the newest drawings and updates to our product line by going to [www.isokern.net](http://www.isokern.net)

## **Additional Web Resources - updated continuously**

**Drawings and CAD files**

<http://www.isokern.net/arch.asp>

**Installation Manuals**

<http://www.isokern.net/tech.asp>

## **CONTACT INFORMATION for Architects and Builders**

***Contact your local dealer for architectural, technical, construction, installation, project help and consultation...***

***or contact our Architectural / Technical Department at:***

Jane Koechlin  
Architectural/Technical Representative  
[jkoechlin@isokern.net](mailto:jkoechlin@isokern.net)  
800.642.2920  
904.363.3417 x227

**We do custom designs for your plans!**

**For a dealer near you contact 800.642.2920**

## News & Updates from Earthcore Industries Isokern Fireplaces & Chimney Systems

As the year 2009 draws to a close and we start anew in 2010, there are many new and exciting things happening at Earthcore that we can't wait to share with you!

Download the updated Architectural Drawings from our website at: <http://www.isokern.net/arch.asp>

It is easy to tell the new from the old, thanks to the new format of the drawings available. Simply compare the dates between the drawings in your Architectural Binder to the "Revision Date" listed beside each drawing on the website.

You can also now download all of our product brochures directly from the website!!! Simply follow this link: <http://www.isokern.net/brochures.asp> and pick which brochure you would like for your electronic files. Check back periodically to see if we have changed or updated these!

## Exciting updates from Earthcore Industries/Isokern Fireplaces

### **NEW Magnum 28" Fireplace**

We now have a Magnum fireplace with a smaller 28" opening to accommodate a cozy indoor or an outdoor patio application. This unit replaces the Patio Series fireplace only suitable for outdoor use.

### **NEW IBV 50" Hearth Openings**

As always, our IBV (B-Vent) fireplace will come in the 36 and 46 models with the traditional 30" finished opening height however, we are now approved to extend to a finished opening height of 51 ½"! Refer to the IBV installation manual for restrictions and installation requirements. We also have a new gas log set to go with the IBV. The electronic reversible Stadium Burner Log Set which comes standard with a remote control or optional wall switch.

### **NEW style for our Standard Fireplace Series**

Our Standard Series fireplace now comes with a single smoke dome. This results in a shorter total framing height for the fireplace and a quicker install.

### **NEW EPA Wood-Burning Fireplace Program Qualified System**

The 36C fireplace by Isokern is the first and only open hearth modular fireplace to be approved by EPA under the Phase II guidelines. It has been tested and listed, and utilizes a Clean Burning Catalytic Combustor exclusive to Earthcore to lower the amount of particulates produced from a wood burning fireplace to an astonishing average of 2.93 grams/kg! Visit the EPA website at <http://epa.gov/burnwise/fireplacelist.html> for more details.

### **NEW Extended Warranty on Isokern Components**

With the opening and production at our Chesapeake facility we are in a unique position to not only produce the high quality product Isokern is famous for, but to also more closely control the production environment. No one can match the quality product, integrity of service and commitment to our customers that has secured us as the leaders of our industry. In the past, now and as always in our future! To see the new warranty page, simply follow this link: <http://www.isokern.net/tech.asp>.

# Table of Contents

## Section 1: Magnum Series

- M1.0 – Magnum Series Specifications
- M1.1 – Magnum Firebox Assembly - 28"
- M1.2 – Magnum Firebox Assembly - 36"
- M1.3 – Magnum Firebox Assembly - 42"
- M1.4 – Magnum Firebox Assembly - 48"
- M1.5 – Magnum Firebox Assembly - 60"
- M1.6 – Magnum Firebox Assembly - 72"

## Section 2: Standard Series

- S2.0 – Standard Series Specifications
- S2.1 – Standard Firebox Assembly - 36"
- S2.2 – Standard Firebox Assembly - 42"
- S2.3 – Standard Firebox Assembly - 46"
- ST2.1 – Standard 36-See Thru

## Section 3: IBV Series

- IBV3.0 – IBV Series Specifications
- IBV3.1 – IBV Series Dimensions
- IBV3.2 – IBV Firebox Assembly - 36"
- IBV3.3 – IBV Firebox Assembly - 46"

## Section 4: Fire-Lite Series

- FL1.0 – Fire-Lite Series Specifications
- SF1.1 – Standard 36" Fire-Lite
- SF1.2 – Standard 42" Fire-Lite
- SF1.3 – Standard 46" Fire-Lite
- MF1.1 – Magnum 28" Fire-Lite
- MF1.2 – Magnum 36" Fire-Lite
- MF1.3 – Magnum 42" Fire-Lite
- MF1.4 – Magnum 48" Fire-Lite

## Section 5: Vent-Free Series

- VF1.0 – Vent-Free Series Specifications
- VF1.1 – Vent-Free Firebox Assembly - 36"
- VF1.2 – Vent-Free Firebox Assembly - 42"
- VF1.3 – Vent-Free Firebox Assembly - 46"
- VF2.1 – Vent-Free Series - 36" See-Thru
- VF2.2 – Vent-Free Series - 42" See-Thru
- VF2.3 – Vent-Free Series - 46" See-Thru

## Section 6: GreenTech Series

- GT1.0 – GreenTech Series Specifications
- GT1.1 – GreenTech Firebox Assembly – S 36C

## Section 7: DM54 Chimney

- 7.1 – DM54 Chimney Specifications
- 7.2 – Nested DM54 Inner and Outer
- 7.3 – DM54 Outer Casing
- 7.4 – DM54 Inner Liner
- 7.5 – DM54 Starter Flue
- 7.6 – Offset Block
- 7.7 – Brick Ledge
- 7.8 – Small Crown Cap
- 7.9 – Large Crown Cap
- 7.10 – Brick Ledge Applications
- 7.11 – Twin DM54 - Part 1
- 7.12 – Twin DM54 - Part 2
- 7.13 – Twin DM54 - Part 3

## Section 8: Class "A" Metal Flue

- 8.1 – Class "A" Metal Flue Specifications
- 8.2 – Class "A" Metal Flue

## Section 9: Misc. Drawings

- 9.1 – Corner Layout
- 9.2 - 2-Story Stacked Units

## Section 10: Addendums

# ISOKERN FIREPLACE AND CHIMNEY SPECIFICATIONS:

## I. MANUFACTURER:

A. Earthcore Industries, LLC., Jacksonville, FL (Telephone 800-642-2920)

## II. PRODUCT DESCRIPTION:

- A. Modular refractory precast fireplace and chimney components.
  1. Designed for field assembly as an indoor or outdoor fireplace and chimney unit.
  2. All interlocking parts necessary for assembly of a complete firebox and smoke dome.
  3. Interlocking double module chimney components (DM).

## III. MATERIALS:

- A. Light weight concrete of a proprietary mixture of Icelandic volcanic pumice aggregate and cement for precast firebox, chimney block and flue liner components.
  1. Compressive Strength: Firebox and Chimney Block: 972 psi.
  2. Compressive Strength: Flue Liner: 1175 psi.
- B. Premixed (dry) EARTHCORE ADHESIVE.
  1. Tested per ASTM C109, ASTM C307, and ANSI 118.4.
- C. Standard 1 1/8" medium duty refractory brick to line firebox interior.
- D. Standard cast iron poker-style damper (optional top mount or in-line damper available).

## IV. INSTALLATION:

- A. Reference manufacturer's installation instructions for standard configurations, weights, sizes and installation details.
- B. Suitable masonry foundation and noncombustible hearth extensions must be provided.
- C. Unit to be assembled on site per manufacturer's illustrated instructions.
  1. Premixed EARTHCORE ADHESIVE is used at all joints between components.
  2. Firebox to be lined with a minimum 1 1/8" rated firebrick.
- D. Standard fireplace and chimney units listed for "zero clearance" to uninsulated wood framing members.
- E. A 1 1/2" minimum clearance envelope to combustible materials is recommended.
- F. A 3" minimum clearance envelope to insulation required.

## V. CERTIFICATION:

- A. Warnock Hersey/Intertek Testing Services Report No. 3159656MID-008.
- B. Meets or exceeds U.L. 103HT; U.L. 127-08; ULC S610-87; ANSI 2.11.

## VI. CODE COMPLIANCE:

- A. ICC. No. ESR-2316 / LARR #25483/ MEA N.Y.C. 241-90-E.
- B. Standard fireplace and chimney units listed for "zero clearance" to uninsulated wood framing members.

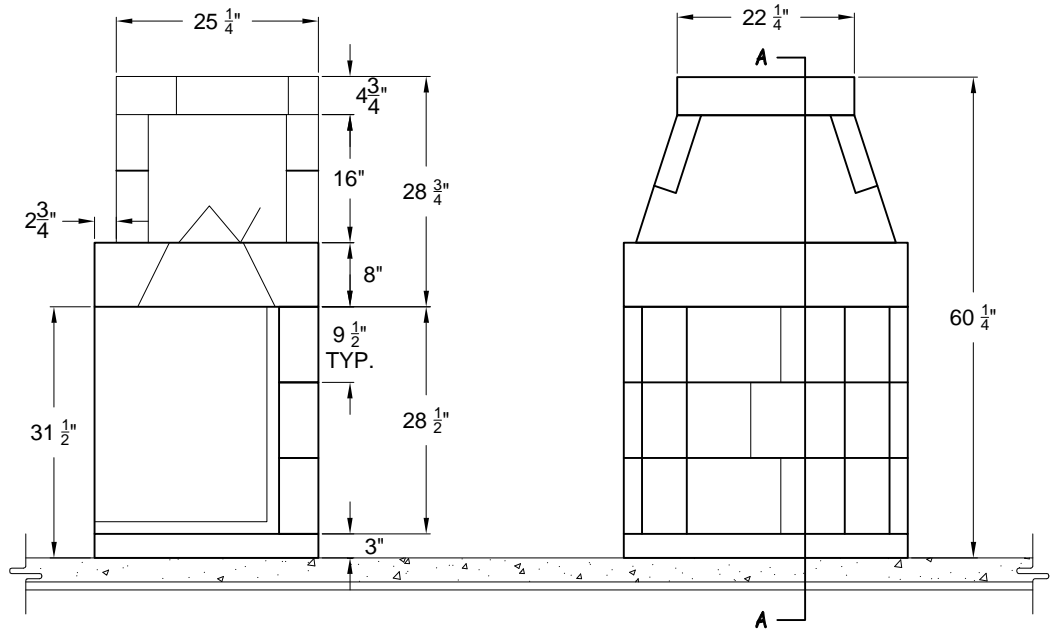
Note: Isokern components are a natural material and slight variations in dimensions may occur. These should be no more than  $\frac{1}{8}$ ".



Fireplaces and Chimney Systems  
A PRODUCT OF EARTHCORE INDUSTRIES, LLC

6899 PHILLIPS INDUSTRIAL BLVD  
JACKSONVILLE, FLORIDA 32256  
TEL (904) 363-3417  
FAX (904) 363-3408  
www.isokern.net

DWG. NO.	SCALE	REVISIONS		BY
M1.0	NTS			
DESCRIPTION				
Standard & Magnum Series				
DATE	DB:			
09/01/2009	JMK			



SECTION A-A

FRONT VIEW

PLAN VIEW

## PLAN, SECTION and ELEVATION of ISOKERN 28 FIREPLACE

SCALE: 3/4" = 1'-0"



Fireplaces and Chimney Systems  
A PRODUCT OF EARTHCORE INDUSTRIES, LLC

6899 PHILLIPS INDUSTRIAL BLVD  
JACKSONVILLE, FLORIDA 32256  
TEL (904) 363-3417  
FAX (904) 363-3408  
www.isokern.net

DWG. NO.

M1.1

SCALE

1/2" = 1'-0"

DESCRIPTION

Magnum 28

DATE

09/01/2009

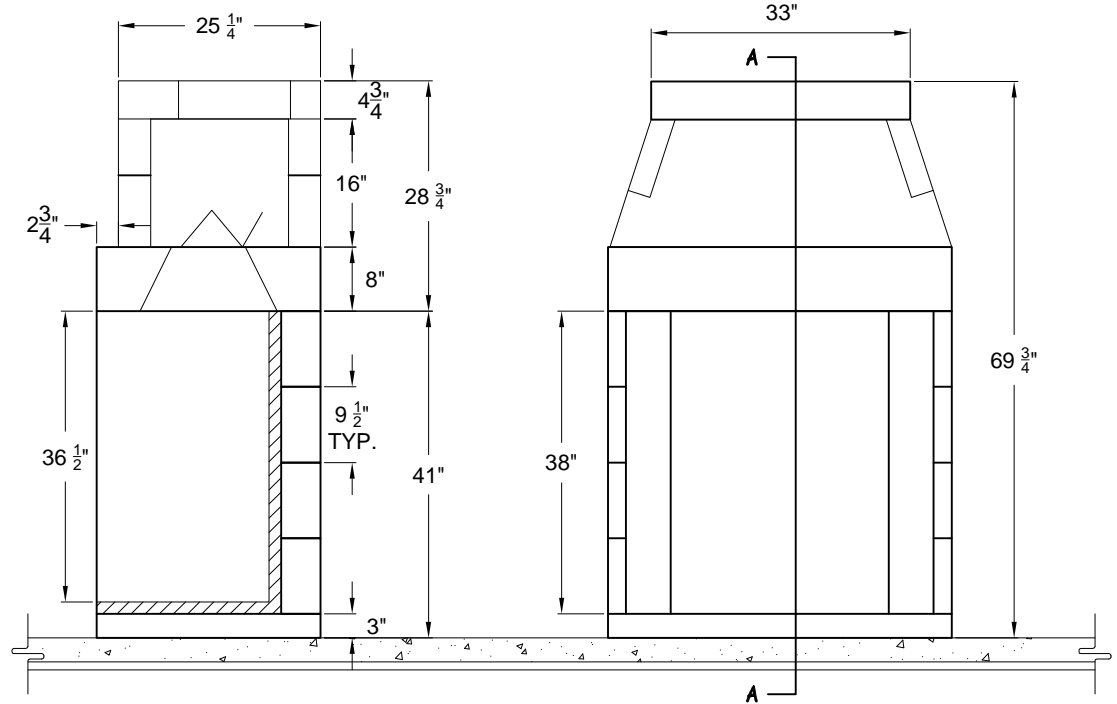
DB:

JMK

REVISIONS

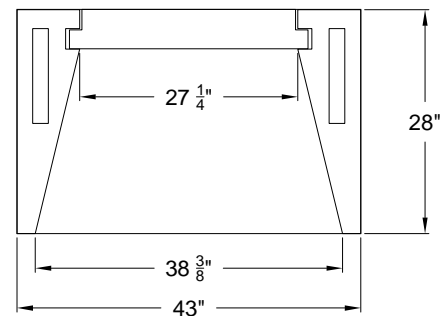
BY

REVISIONS	BY



SECTION A-A

FRONT VIEW



PLAN VIEW

PLAN, SECTION and ELEVATION of  
ISOKERN 36 FIREPLACE



Fireplaces and Chimney Systems  
A PRODUCT OF EARTHCORE INDUSTRIES, LLC

6899 PHILLIPS INDUSTRIAL BLVD  
JACKSONVILLE, FLORIDA 32256  
TEL (904) 363-3417  
FAX (904) 363-3408  
www.isokern.net

DWG. NO.

M1.2

SCALE

1/2" = 1'-0"

DESCRIPTION

Magnum 36

DATE

09/01/2009

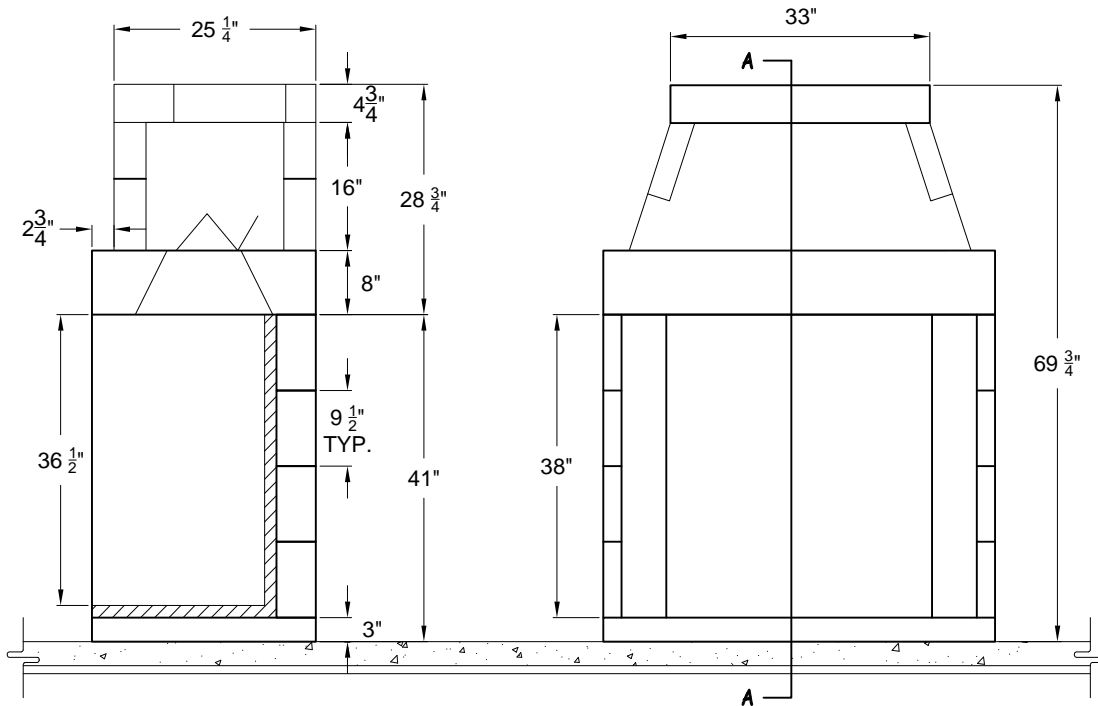
DB:

JMK

REVISIONS

BY

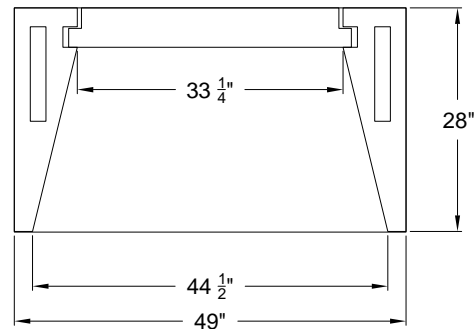
REVISIONS	BY



SECTION A-A

FRONT VIEW

PLAN, SECTION and ELEVATION of  
ISOKERN 42 FIREPLACE



Fireplaces and Chimney Systems  
A PRODUCT OF EARTHCORE INDUSTRIES, LLC

6899 PHILLIPS INDUSTRIAL BLVD  
JACKSONVILLE, FLORIDA 32256  
TEL (904) 363-3417  
FAX (904) 363-3408  
www.isokern.net

DWG. NO.

M1.3

SCALE

$\frac{1}{2}'' = 1'-0''$

DESCRIPTION

Magnum 42

DATE

09/01/2009

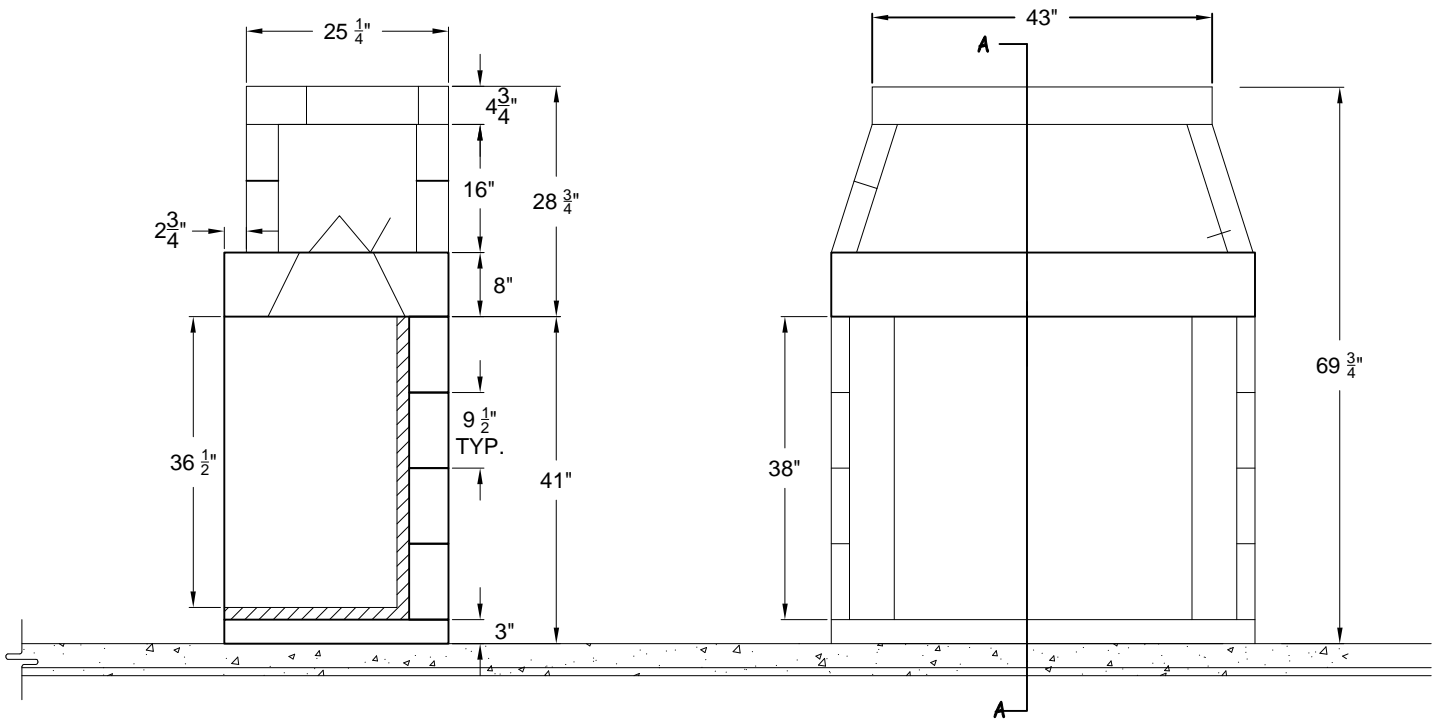
DB:

JMK

REVISIONS

BY

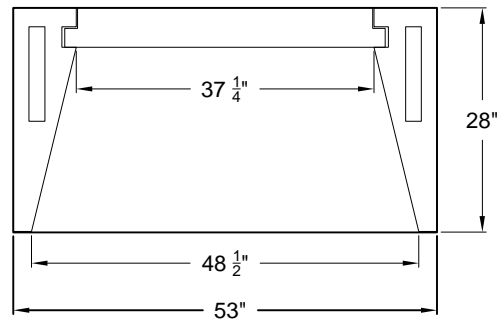
REVISIONS	BY



SECTION A-A

FRONT VIEW

PLAN, SECTION and ELEVATION of  
ISOKERN 48 FIREPLACE



PLAN VIEW



Fireplaces and Chimney Systems  
A PRODUCT OF EARTHCORE INDUSTRIES, LLC

6899 PHILLIPS INDUSTRIAL BLVD  
JACKSONVILLE, FLORIDA 32256  
TEL (904) 363-3417  
FAX (904) 363-3408  
www.isokern.net

DWG. NO.

M1.4

SCALE

$\frac{1}{2}'' = 1'-0''$

DESCRIPTION

Magnum 48

DATE

09/01/2009

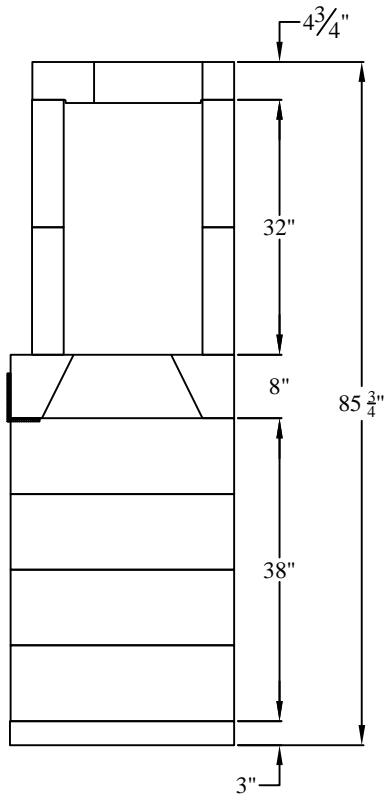
DB:

JMK

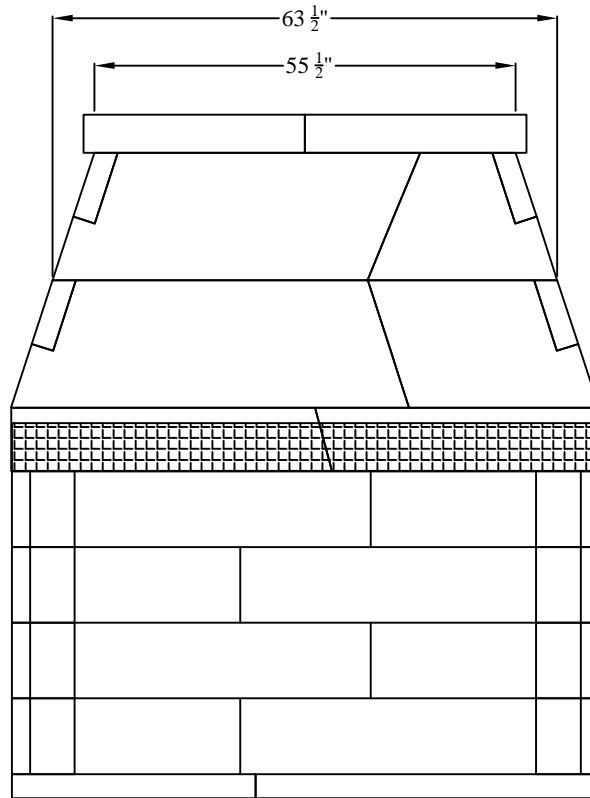
REVISIONS

BY

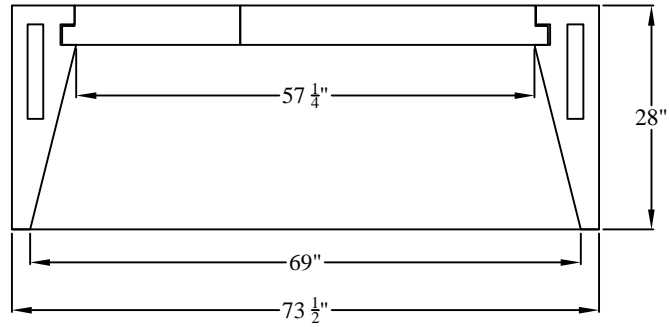
REVISIONS	BY



SIDE VIEW



FRONT VIEW



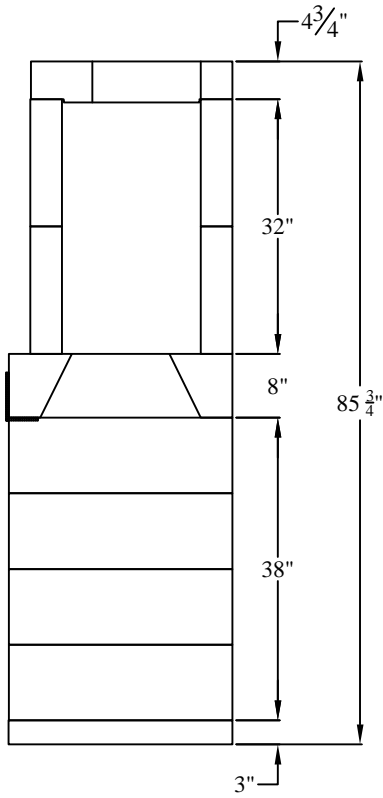
PLAN VIEW



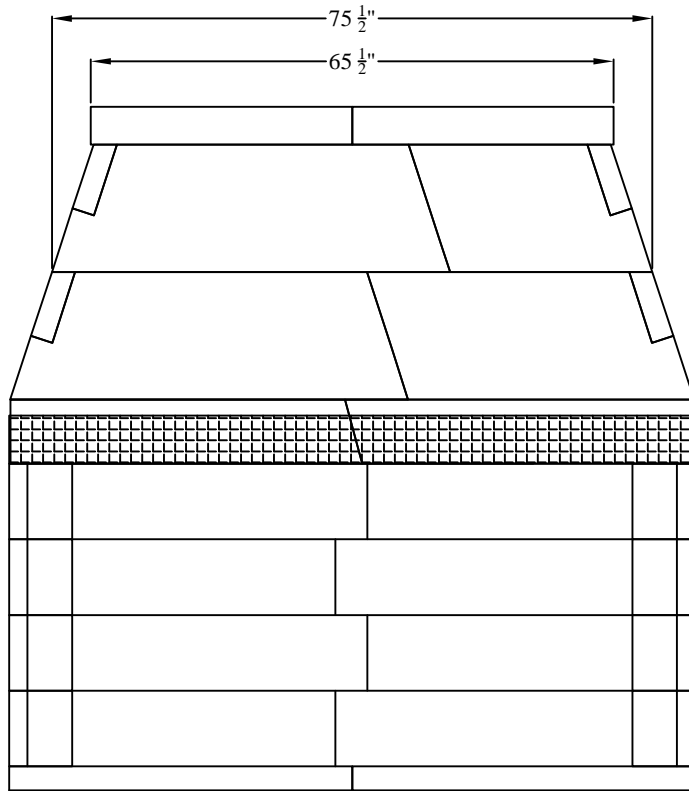
Fireplaces and Chimney Systems  
A PRODUCT OF EARTHCORE INDUSTRIES, LLC

6899 PHILLIPS INDUSTRIAL BLVD  
JACKSONVILLE, FLORIDA 32256  
TEL (904) 363-3417  
FAX (904) 363-3408  
www.isokern.net

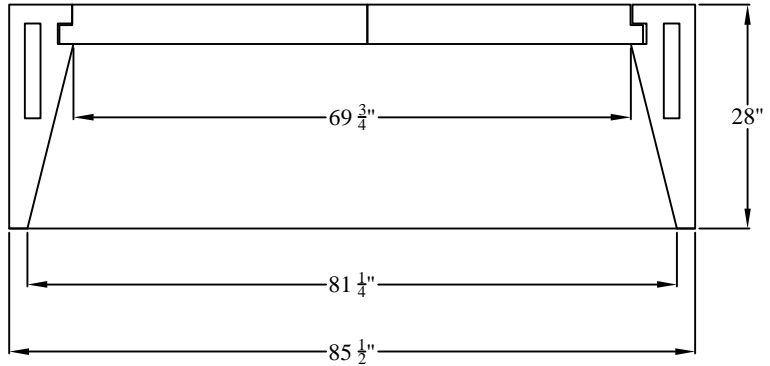
DWG. NO.	SCALE	REVISIONS	BY
M1.5	$\frac{1}{2}$ " = 1'-0"		
DESCRIPTION			
Magnum 60			
DATE	DB:		
09/01/2009	JMK		



SIDE VIEW



FRONT VIEW



PLAN VIEW



Fireplaces and Chimney Systems  
A PRODUCT OF EARTHCORE INDUSTRIES, LLC

6899 PHILLIPS INDUSTRIAL BLVD  
JACKSONVILLE, FLORIDA 32256  
TEL (904) 363-3417  
FAX (904) 363-3408  
www.isokern.net

DWG. NO.	SCALE
M1.6	$\frac{1}{2}'' = 1'-0''$
DESCRIPTION	
Magnum 72	
DATE	DB:
09/01/2009	JMK

REVISIONS	BY

# ISOKERN FIREPLACE AND CHIMNEY SPECIFICATIONS:

## I. MANUFACTURER:

A. Earthcore Industries, LLC., Jacksonville, FL (Telephone 800-642-2920)

## II. PRODUCT DESCRIPTION:

- A. Modular refractory precast fireplace and chimney components.
1. Designed for field assembly as an indoor or outdoor fireplace and chimney unit.
  2. All interlocking parts necessary for assembly of a complete firebox and smoke dome.
  3. Interlocking double module chimney components (DM).

## III. MATERIALS:

- A. Light weight concrete of a proprietary mixture of Icelandic volcanic pumice aggregate and cement for precast firebox, chimney block and flue liner components.
1. Compressive Strength: Firebox and Chimney Block: 972 psi.
  2. Compressive Strength: Flue Liner: 1175 psi.
- B. Premixed (dry) EARTHCORE ADHESIVE.
1. Tested per ASTM C109, ASTM C307, and ANSI 118.4.
- C. Standard 1 1/8" medium duty refractory brick to line firebox interior.
- D. Standard cast iron poker-style damper (optional top mount or in-line damper available).

## IV. INSTALLATION:

- A. Reference manufacturer's installation instructions for standard configurations, weights, sizes and installation details.
- B. Suitable masonry foundation and noncombustible hearth extensions must be provided.
- C. Unit to be assembled on site per manufacturer's illustrated instructions.
1. Premixed EARTHCORE ADHESIVE is used at all joints between components.
  2. Firebox to be lined with a minimum 1 1/8" rated firebrick.
- D. Standard fireplace and chimney units listed for "zero clearance" to uninsulated wood framing members.
- E. A 1 1/2" minimum clearance envelope to combustible materials is recommended.
- F. A 3" minimum clearance envelope to insulation required.

## V. CERTIFICATION:

- A. Warnock Hersey/Intertek Testing Services Report No. 3159656MID-008.
- B. Meets or exceeds U.L. 103HT; U.L. 127-08; ULC S610-87; ANSI 2.11.

## VI. CODE COMPLIANCE:

- A. ICC. No. ESR-2316 / LARR #25483/ MEA N.Y.C. 241-90-E.
- B. Standard fireplace and chimney units listed for "zero clearance" to uninsulated wood framing members.

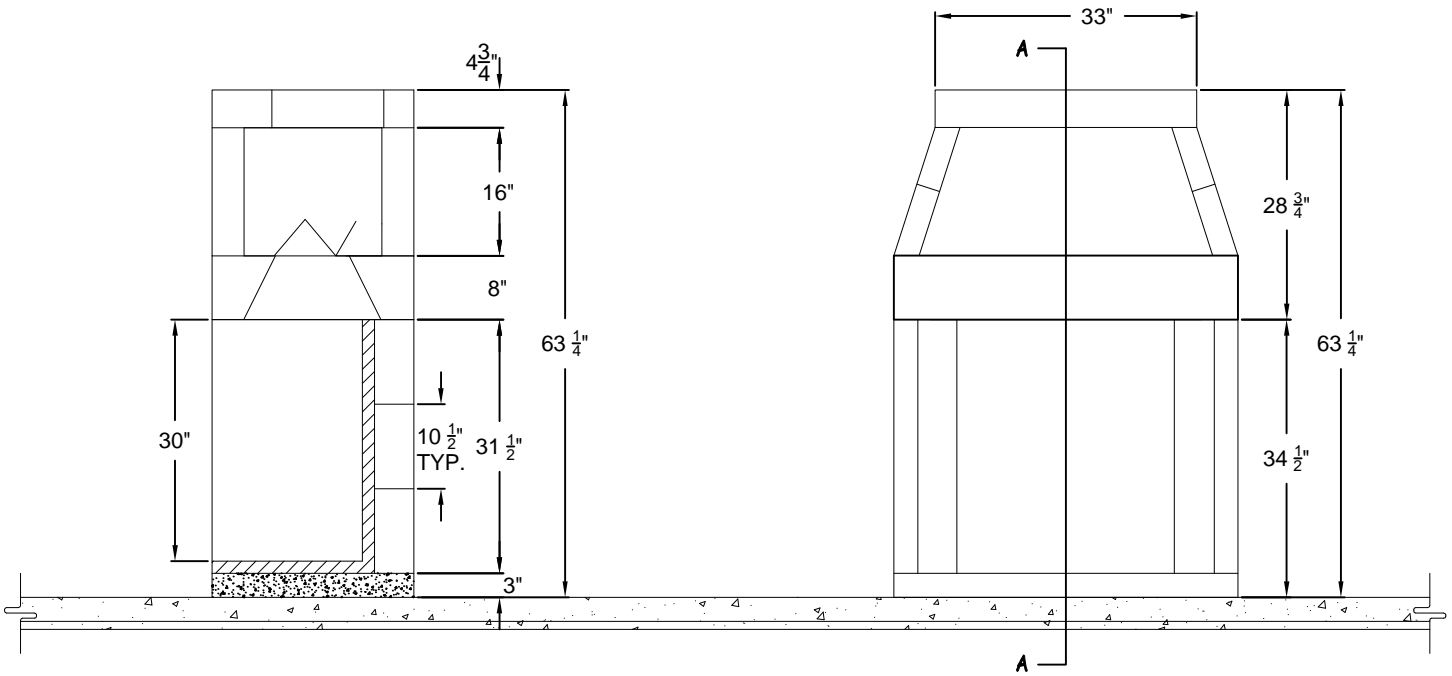
Note: Isokern components are a natural material and slight variations in dimensions may occur. These should be no more than  $\frac{1}{8}$ ".



Fireplaces and Chimney Systems  
A PRODUCT OF EARTHCORE INDUSTRIES, LLC

6899 PHILLIPS INDUSTRIAL BLVD  
JACKSONVILLE, FLORIDA 32256  
TEL (904) 363-3417  
FAX (904) 363-3408  
www.isokern.net

DWG. NO.	SCALE	REVISIONS	BY
S2.0	NTS		
DESCRIPTION			
Standard & Magnum Series			
DATE	DB:		
09/01/2009	JMK		



SECTION A-A

FRONT VIEW

PLAN, SECTION and ELEVATION of  
ISOKERN 36 FIREPLACE

PLAN VIEW



Fireplaces and Chimney Systems  
A PRODUCT OF EARTHCORE INDUSTRIES, LLC

6899 PHILLIPS INDUSTRIAL BLVD  
JACKSONVILLE, FLORIDA 32256  
TEL (904) 363-3417  
FAX (904) 363-3408  
www.isokern.net

DWG. NO.

S2.1

SCALE

$\frac{1}{2}'' = 1'-0''$

DESCRIPTION

Standard 36

DATE

09/01/2009

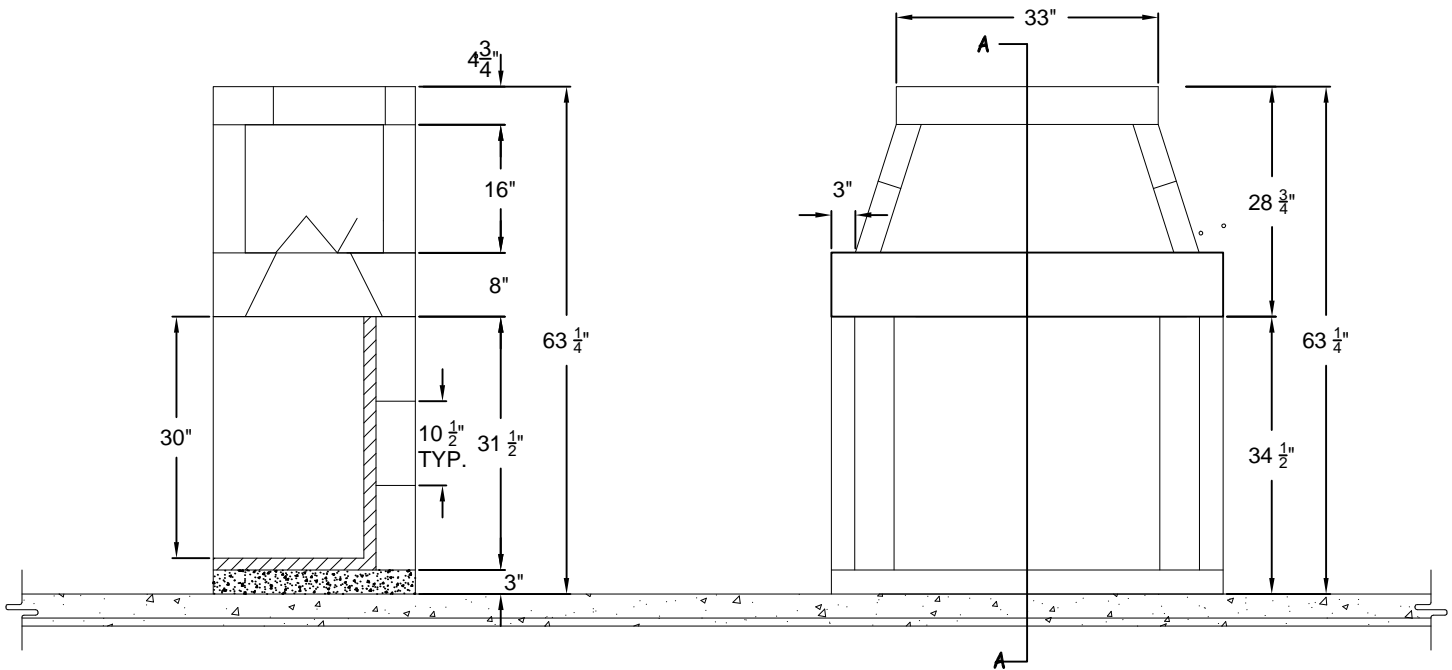
DB:

JMK

REVISIONS

BY

REVISIONS	BY



SECTION A-A

FRONT VIEW

PLAN, SECTION and ELEVATION of  
ISOKERN 42" [WIDE] FIREPLACE

PLAN VIEW



Fireplaces and Chimney Systems  
A PRODUCT OF EARTHCORE INDUSTRIES, LLC

6899 PHILLIPS INDUSTRIAL BLVD  
JACKSONVILLE, FLORIDA 32256  
TEL (904) 363-3417  
FAX (904) 363-3408  
www.isokern.net

DWG. NO.

S2.2

SCALE

$\frac{1}{2}$ " = 1'-0"

DESCRIPTION

Standard 42

DATE

09/01/2009

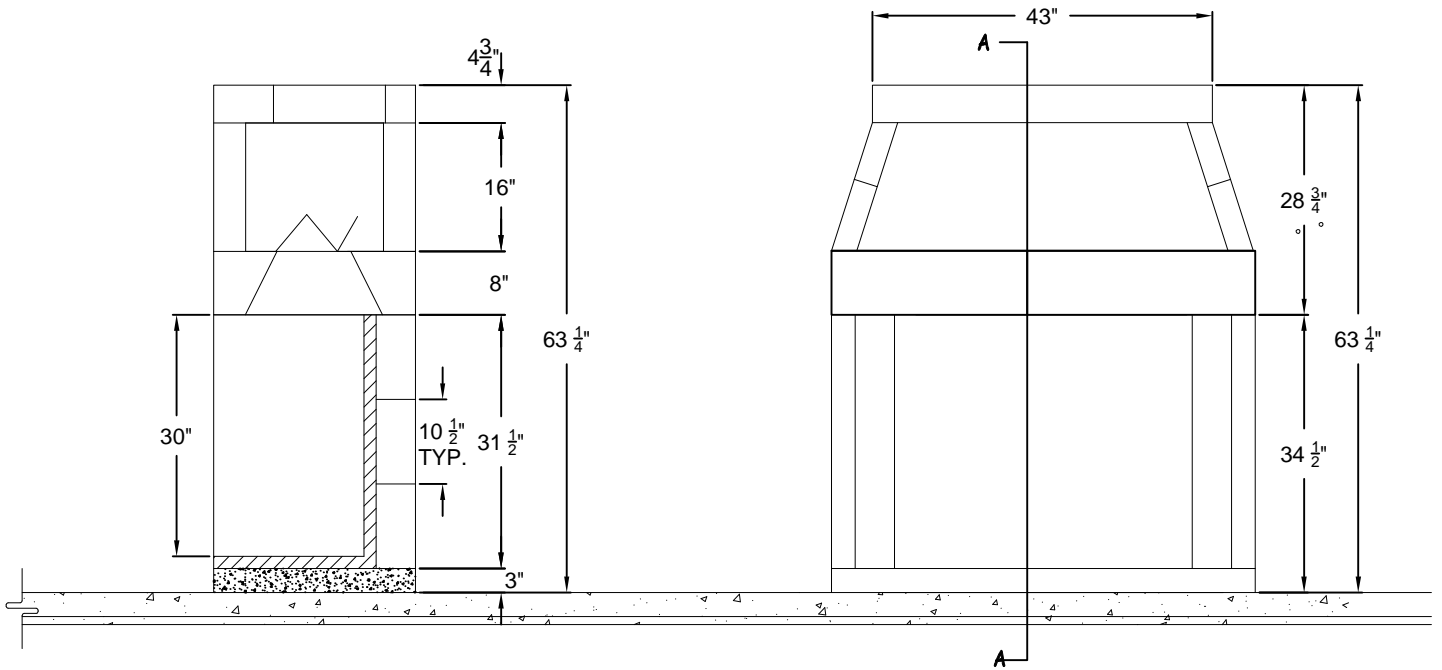
DB:

JMK

REVISIONS

BY

REVISIONS	BY



SECTION A-A

FRONT VIEW

PLAN, SECTION and ELEVATION of  
ISOKERN 46" [WIDE] FIREPLACE

PLAN VIEW



Fireplaces and Chimney Systems  
A PRODUCT OF EARTHCORE INDUSTRIES, LLC

6899 PHILLIPS INDUSTRIAL BLVD  
JACKSONVILLE, FLORIDA 32256  
TEL (904) 363-3417  
FAX (904) 363-3408  
www.isokern.net

DWG. NO.

S2.3

SCALE

$\frac{1}{2}$ " = 1'-0"

DESCRIPTION

Standard 46

DATE

09/01/2009

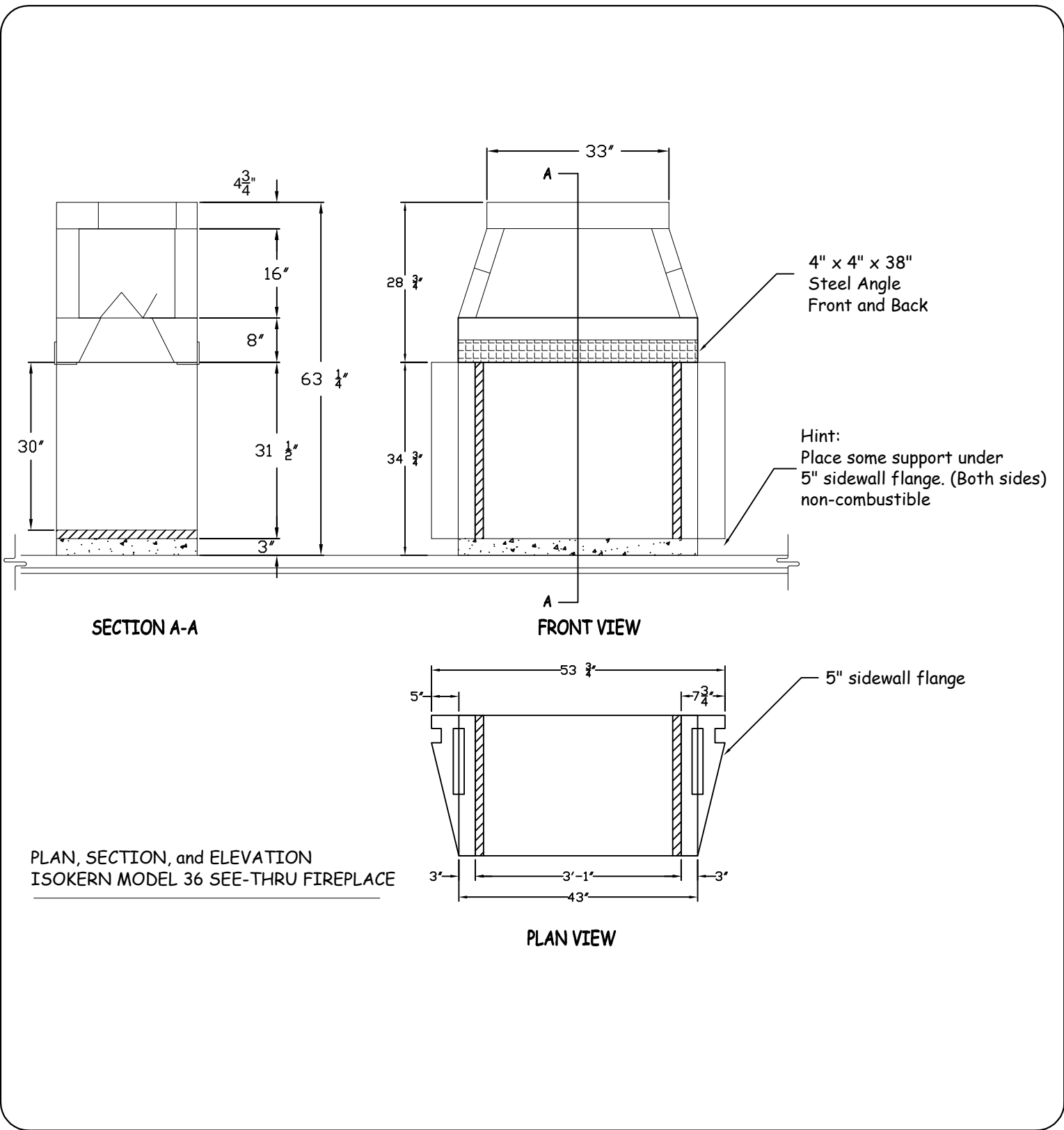
DB:

JMK

REVISIONS

BY

REVISIONS	BY



PLAN, SECTION, and ELEVATION  
ISOKERN MODEL 36 SEE-THRU FIREPLACE

**ISOKERN**<sup>®</sup>  
Fireplaces and Chimney Systems  
A PRODUCT OF EARTHCORE INDUSTRIES, LLC

6899 PHILLIPS INDUSTRIAL BLVD  
JACKSONVILLE, FLORIDA 32256  
TEL (904) 363-3417  
FAX (904) 363-3408  
www.isokern.net

DWG. NO.	SCALE	REVISIONS	BY
ST2.1	$\frac{1}{2}'' = 1'-0''$		
DESCRIPTION			
Standard 36-See Thru			
DATE	DB:		
09/01/2009	JMK		

**I. MANUFACTURER:**

A. ISOKERN Fireplace and Chimney Systems, North America distribution by Earthcore Industries, LLC, Jacksonville, Florida (Telephone 800-642-2920)

**II. PRODUCT DESCRIPTION:**

- A. Modular refractory masonry precast fireplace.
  - 1. Designed for field assembly as a gas only, B-vent appliance.
  - 2. All interlocking parts necessary for assembly of a complete firebox and smoke dome.

**III. MATERIALS:**

- A. Light weight concrete of a proprietary mixture of Icelandic volcanic aggregate and aluminum cement for precast firebox.
  - 1. Compressive Strength: Firebox block: 972 psi.
- B. Premixed (dry) EARTHCORE ADHESIVE.
  - 1. Tensile strength: 807 psi; Compressive strength: 2460 psi.
  - 2. Tested per ASTM C109, ASTM C307, and ANSI 118.4.
- C. Standard 1 1/8" high temperature refractory brick to line firebox interior.

**IV. INSTALLATION:**

- A. Reference manufacturer's installation instructions for standard configurations, weights, sizes and installation details.
- B. Suitable masonry foundation or structural wood floor system must be provided.
- C. Unit to be assembled on site per manufacturer's illustrated instructions.
  - 1. Premixed EARTHCORE ADHESIVE is used at all joints between components.
  - 2. Firebox to be lined with a minimum 1 1/8" rated firebrick.
- D. Firebox units listed for "zero clearance" to uninsulated wood framing members.
- E. A 1 1/2" minimum clearance to combustible materials is recommended.
- F. A 3" minimum clearance to insulation required.

**V. CERTIFICATION:**

- A. PFS Corporation, PFS Report No. 09-79
- B. Meets or exceeds ANSI Z 21.50b-2009, CSA 2.22b-2009.

**VI. CODE COMPLIANCE:**

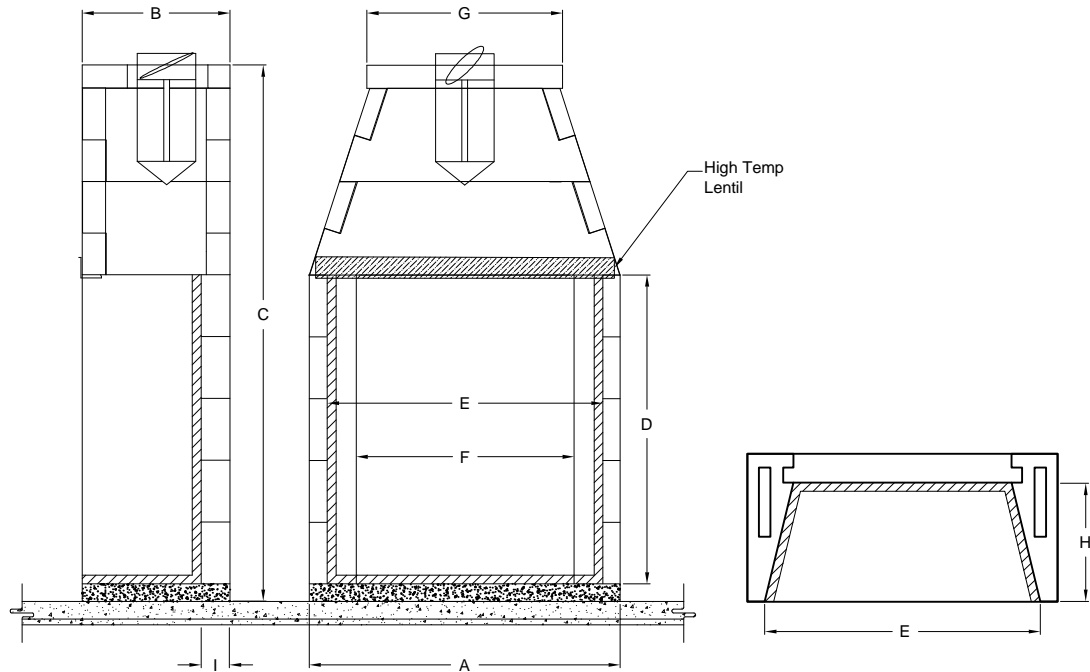
ICC No. ESR 2316 / LARR #25483 / MEA N.Y.C. 241-90-E



Fireplaces and Chimney Systems  
A PRODUCT OF EARTHCORE INDUSTRIES, LLC

6899 PHILLIPS INDUSTRIAL BLVD  
JACKSONVILLE, FLORIDA 32256  
TEL (904) 363-3417  
FAX (904) 363-3408  
www.isokern.net

DWG. NO.	SCALE	REVISIONS		BY
IBV3.0	NTS			
DESCRIPTION				
IBV Specifications				
DATE	DB:			
09/01/2009	JMK			



SECTION A-A

FRONT VIEW

SIDE VIEW

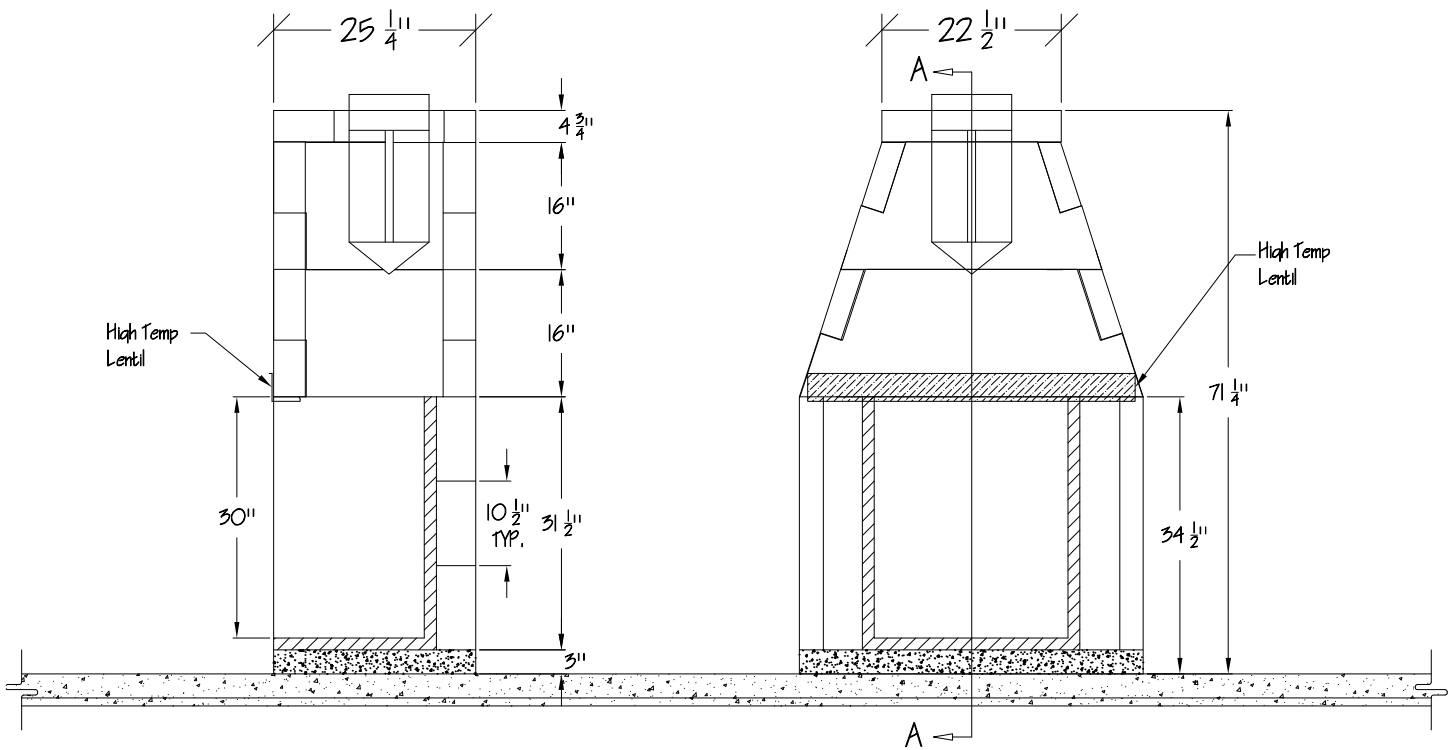
Model	A	B	C	D	E	F	G	H	I
36"	43"	25 1/4"	71 1/4"	31 1/2"	36 1/8"	27 1/4"	21 1/2"	20 1/4"	5"
46"	53"	25 1/4"	71 1/4"	31 1/2"	47 1/8"	37 1/4"	32"	20 1/4"	5"
* To achieve height dimension "D" in table above, a 100" (8.3') minimum flue height with 10" I.D B-Vent is required									
36"	43"	25 1/4"	81 3/4"	* 42"	36 1/8"	27 1/4"	21 1/2"	20 1/4"	5"
46"	53"	25 1/4"	81 3/4"	*42"	47 1/8"	37 1/4"	32"	20 1/4"	5"
* To achieve height dimension "D" in table above, a 9' minimum flue height with 10" I.D B-Vent is required									
36"	43"	25 1/4"	92 1/4"	52 1/2"	36 1/8"	27 1/4"	21 1/2"	20 1/4"	5"
46"	53"	25 1/4"	92 1/4"	52 1/2"	47 1/8"	37 1/4"	32"	20 1/4"	5"
* To achieve height dimension "D" in table above, a 12' minimum flue height with 10" I.D B-Vent is required									



Fireplaces and Chimney Systems  
A PRODUCT OF EARTHCORE INDUSTRIES, LLC

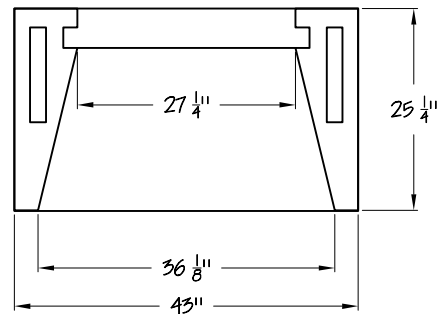
6899 PHILLIPS INDUSTRIAL BLVD  
JACKSONVILLE, FLORIDA 32256  
TEL (904) 363-3417  
FAX (904) 363-3408  
www.isokern.net

DWG. NO.	SCALE	REVISIONS	BY
IBV3.1	NTS		
DESCRIPTION			
IBV Series - Dimensions			
DATE	DB:		
02/11/2010	JMK		



SECTION A-A

FRONT VIEW



PLAN VIEW



Fireplaces and Chimney Systems  
A PRODUCT OF EARTH CORE INDUSTRIES, LLC

6899 PHILLIPS INDUSTRIAL BLVD  
JACKSONVILLE, FLORIDA 32256  
TEL (904) 363-3417  
FAX (904) 363-3408  
www.isokern.net

DWG. NO.

IBV3.2

SCALE

$\frac{1}{2}'' = 1'-0''$

DESCRIPTION

IBV 36

DATE

09/01/2009

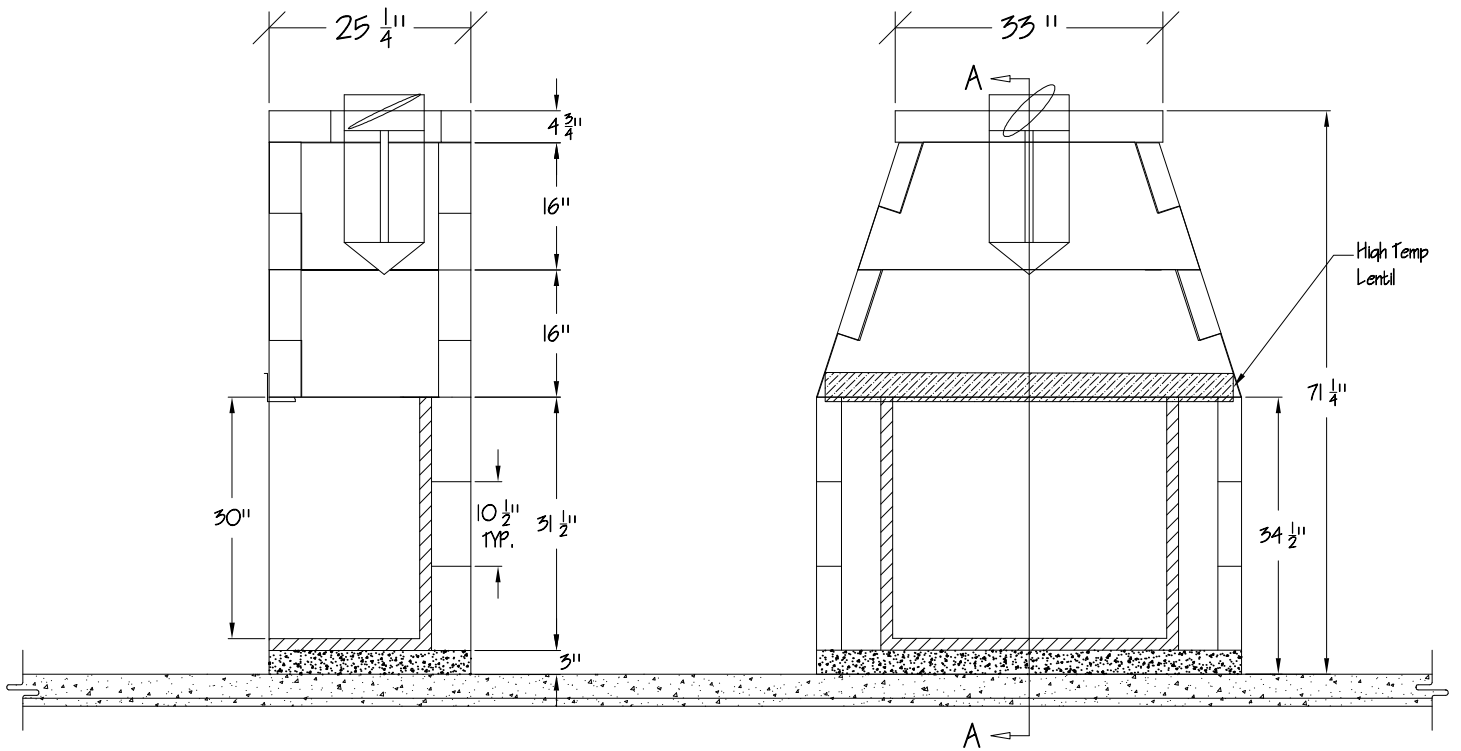
DB:

JMK

REVISIONS

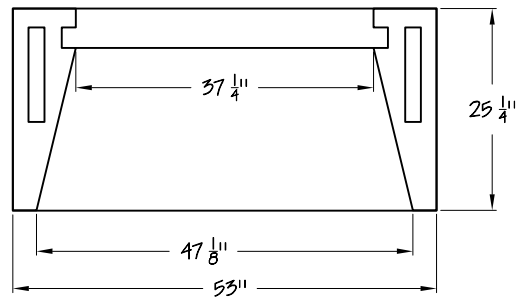
BY

REVISIONS	BY



SECTION A-A

FRONT VIEW



PLAN VIEW



Fireplaces and Chimney Systems  
A PRODUCT OF EARTH CORE INDUSTRIES, LLC

6899 PHILLIPS INDUSTRIAL BLVD  
JACKSONVILLE, FLORIDA 32256  
TEL (904) 363-3417  
FAX (904) 363-3408  
www.isokern.net

DWG. NO.

IBV3.3

SCALE

$\frac{1}{2}'' = 1'-0''$

DESCRIPTION

IBV 46

DATE

09/01/2009

DB:

JMK

REVISIONS

BY

REVISIONS	BY

# ISOKERN FIREPLACE AND CHIMNEY SPECIFICATIONS:

## I. MANUFACTURER:

A. Earthcore Industries, LLC., Jacksonville, FL (Telephone 800-642-2920)

## II. PRODUCT DESCRIPTION:

- A. Modular refractory precast fireplace
1. Designed for field assembly as a fireplace.
  2. All interlocking parts necessary for assembly of a complete firebox and smoke dome.
  3. Double wall air cooled metal chimney

## III. MATERIALS:

- A. Light weight concrete of a proprietary mixture of Icelandic volcanic pumice aggregate and cement for precast firebox components.
1. Compressive Strength: Firebox: 972 psi.
- B. Premixed (dry) EARTHCORE ADHESIVE.
1. Tested per ASTM C109, ASTM C307, and ANSI 118.4.
- C. Standard 1 1/8" medium duty refractory brick to line firebox interior.
- D. Standard cast iron poker-style damper (optional top mount or in-line damper available).

## IV. INSTALLATION:

- A. Reference manufacturer's installation instructions for configurations, weights, sizes and installation details.
- B. Suitable masonry foundation and noncombustible hearth extensions must be provided.
- C. Unit to be assembled on site per manufacturer's illustrated instructions using 4" or 8" metal stand available through Earthcore Industries distribution.
1. Premixed EARTHCORE ADHESIVE is used at all joints between components.
  2. Firebox to be lined with a minimum 1 1/8" rated firebrick.
- D. A 1 1/2" minimum clearance envelope to combustible materials is recommended.
- E. A 3" minimum clearance envelope to insulation required.

## V. CERTIFICATION:

- A. Warnock Hersey/Intertek Testing Services Report No. 3159656MID-008.
- B. Meets or exceeds U.L. 103HT; U.L. 127-08; ULC S610-87; ANSI 2.11.

## VI. CODE COMPLIANCE:

- A. ICC. No. ESR-2316 / LARR #25483/ MEA N.Y.C. 241-90-E.

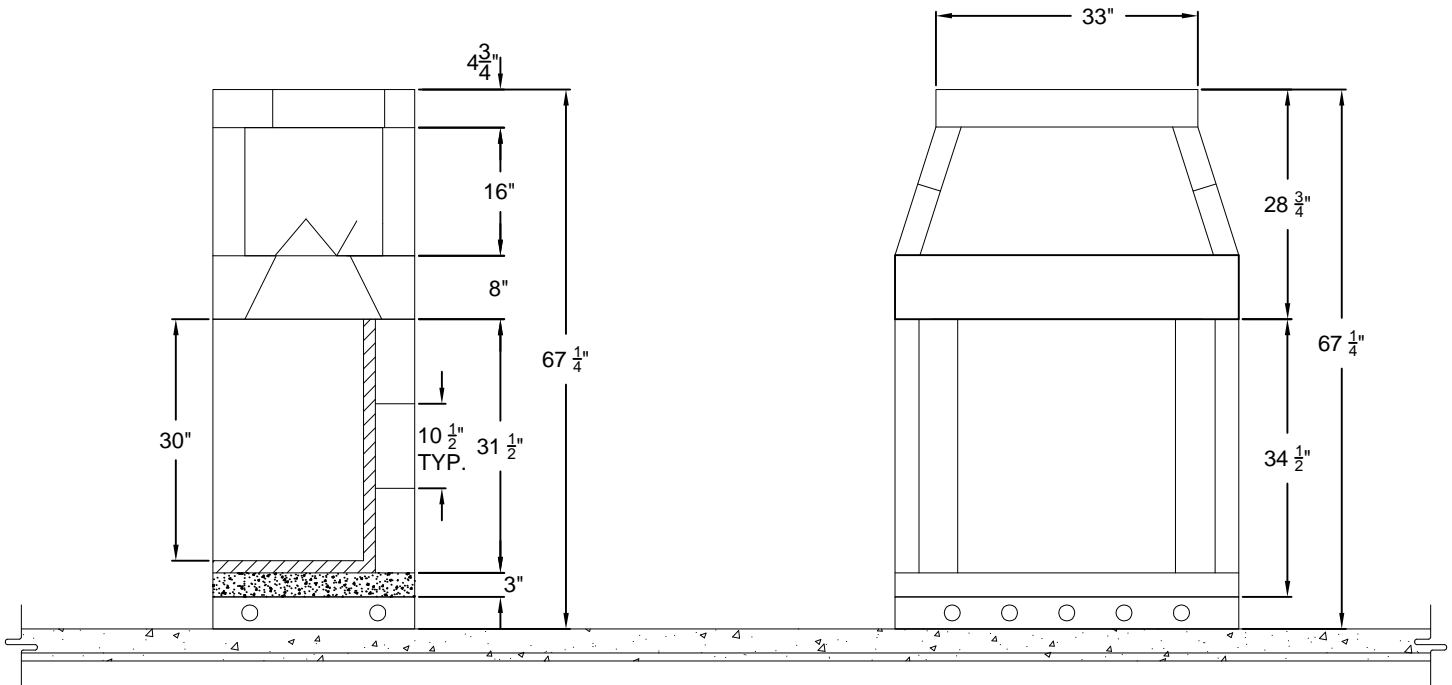
Note: Isokern components are a natural material and slight variations in dimensions may occur. These should be no more than  $\frac{1}{8}$ ".



Fireplaces and Chimney Systems  
A PRODUCT OF EARTHCORE INDUSTRIES, LLC

6899 PHILLIPS INDUSTRIAL BLVD  
JACKSONVILLE, FLORIDA 32256  
TEL (904) 363-3417  
FAX (904) 363-3408  
www.isokern.net

DWG. NO.	SCALE	REVISIONS	BY
FL1.0	NTS		
DESCRIPTION			
Fire-Lite Series			
DATE	DB:		
02/11/2010	JMK		

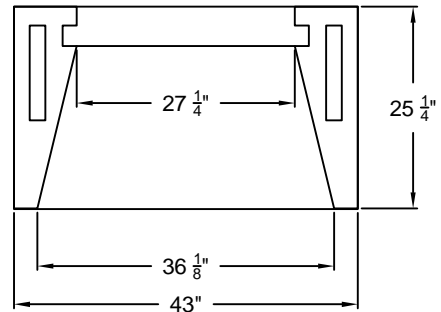


SECTION A-A

FRONT VIEW

**PLAN, SECTION and ELEVATION of  
ISOKERN STANDARD 36" FIRE\_LITE**

SCALE: 1/2" = 1'-0"



PLAN VIEW



Fireplaces and Chimney Systems  
A PRODUCT OF EARTHCORE INDUSTRIES, LLC

6899 PHILLIPS INDUSTRIAL BLVD  
JACKSONVILLE, FLORIDA 32256  
TEL (904) 363-3417  
FAX (904) 363-3408  
www.isokern.net

DWG. NO.

SF1.1

SCALE

1/2" = 1'-0"

DESCRIPTION

Standard 36 Fire-Lite

DATE

01/25/2010

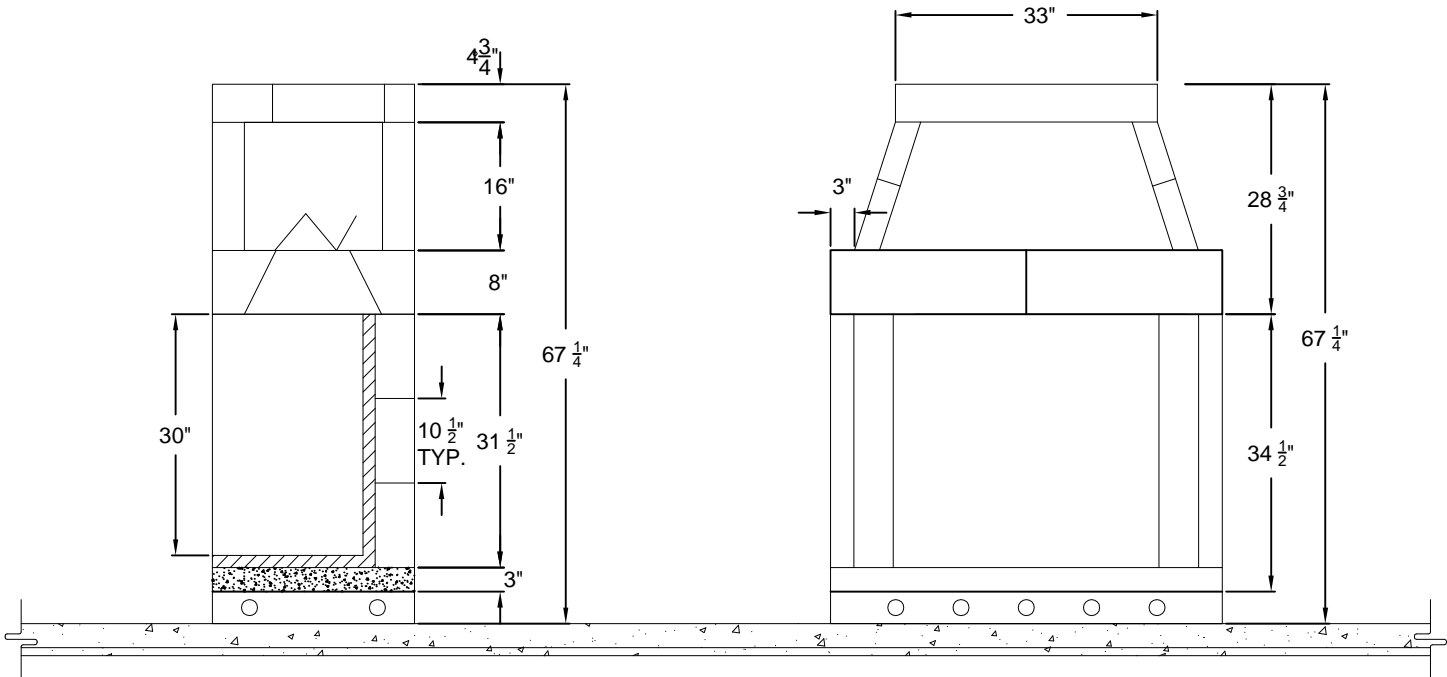
DB:

JMK

REVISIONS

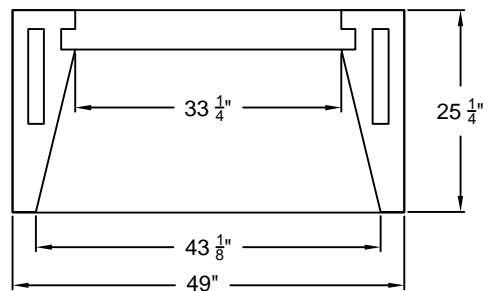
BY

REVISIONS	BY



SECTION A-A

FRONT VIEW



PLAN VIEW

# PLAN, SECTION and ELEVATION of ISOKERN STANDARD 42" FIRE-LITE

SCALE: 1/2" = 1'-0"



Fireplaces and Chimney Systems  
A PRODUCT OF EARTHCORE INDUSTRIES, LLC

6899 PHILLIPS INDUSTRIAL BLVD  
JACKSONVILLE, FLORIDA 32256  
TEL (904) 363-3417  
FAX (904) 363-3408  
www.isokern.net

DWG. NO.

SF1.2

SCALE

1/2" = 1'-0"

REVISIONS

BY

DESCRIPTION

Standard 42 Fire-Lite

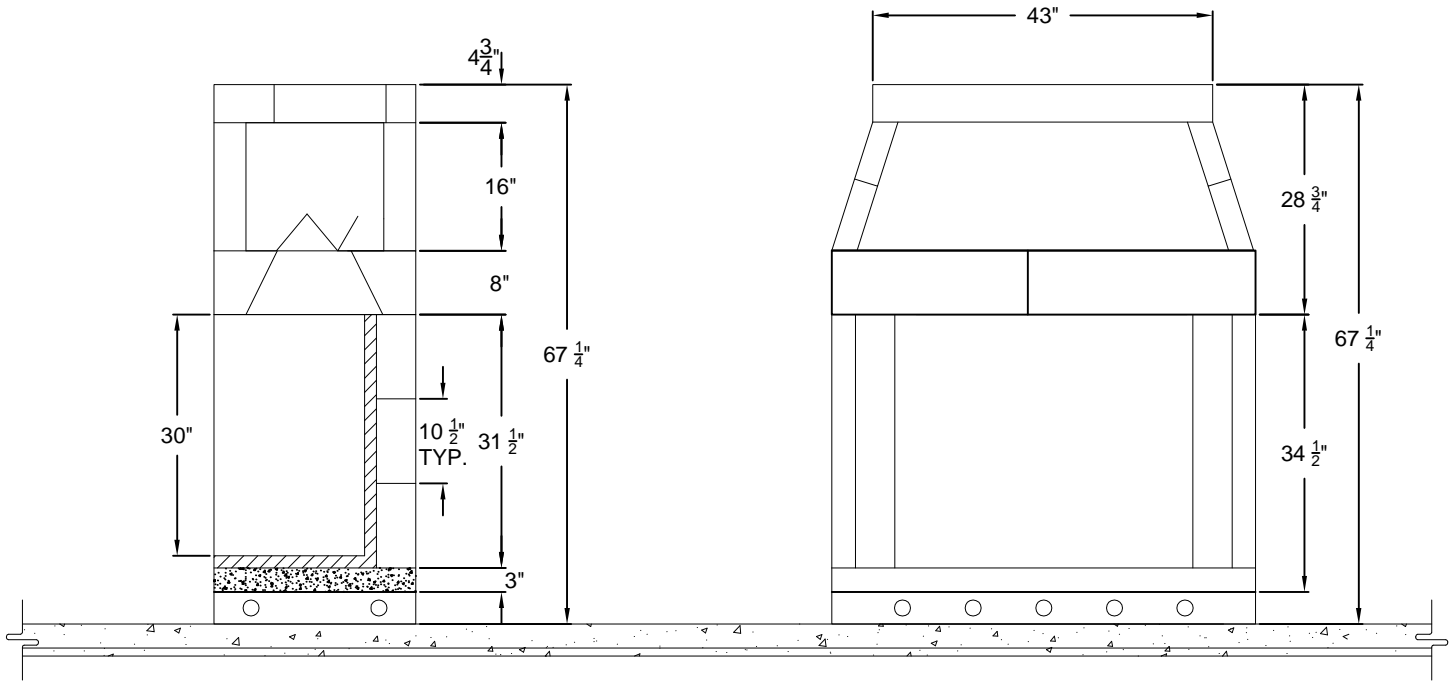
DATE

01/25/2010

DB:

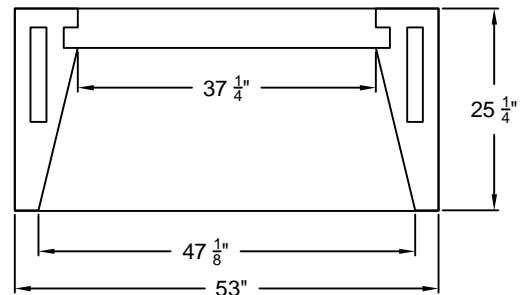
JMK

REVISIONS	BY



SECTION A-A

FRONT VIEW



PLAN VIEW

# PLAN, SECTION and ELEVATION of ISOKERN 46" STANDARD FIRE-LITE

SCALE: 1/2" = 1'-0"



Fireplaces and Chimney Systems  
A PRODUCT OF EARTHCORE INDUSTRIES, LLC

6899 PHILLIPS INDUSTRIAL BLVD  
JACKSONVILLE, FLORIDA 32256  
TEL (904) 363-3417  
FAX (904) 363-3408  
www.isokern.net

DWG. NO.

SF1.3

SCALE

1/2" = 1'-0"

DESCRIPTION

Standard 46 Fire-Lite

DATE

01/25/2010

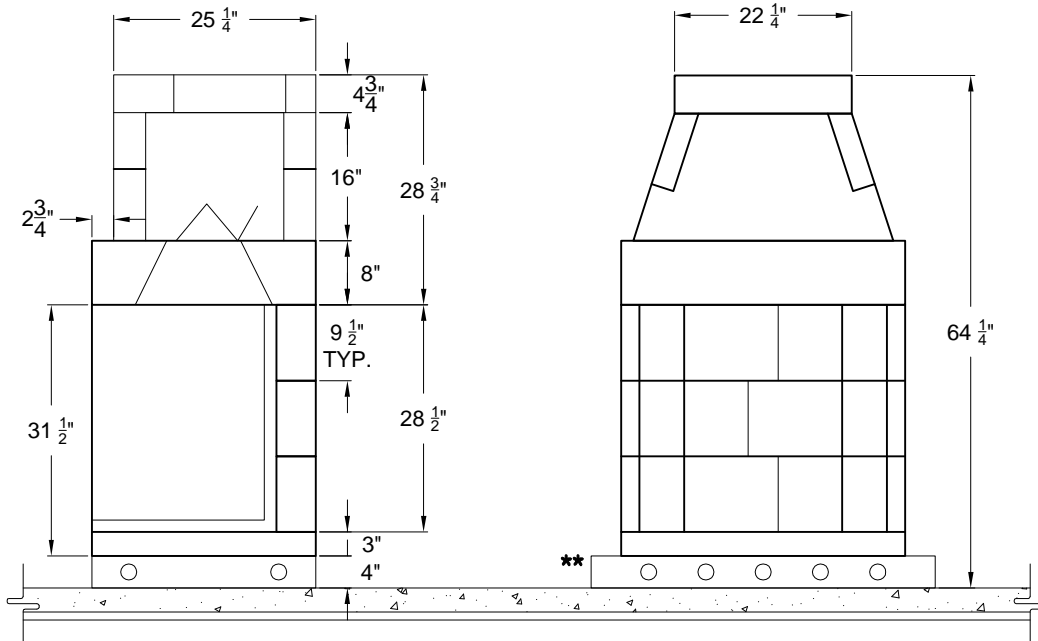
DB:

JMK

REVISIONS

BY

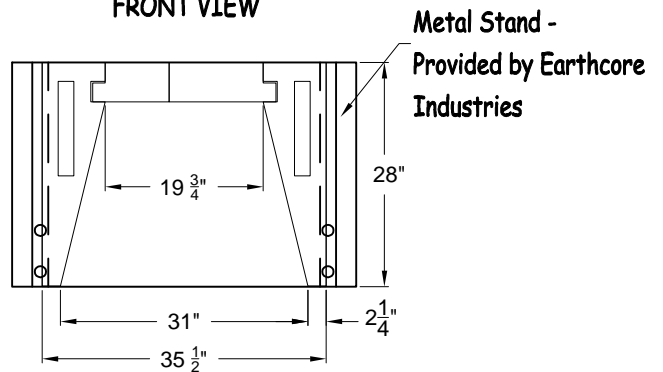
REVISIONS	BY



SECTION A-A

FRONT VIEW

\*\* Uses Metal Stand for  
Magnum 36



PLAN VIEW

# PLAN, SECTION and ELEVATION of ISOKERN 28 FIRE-LITE

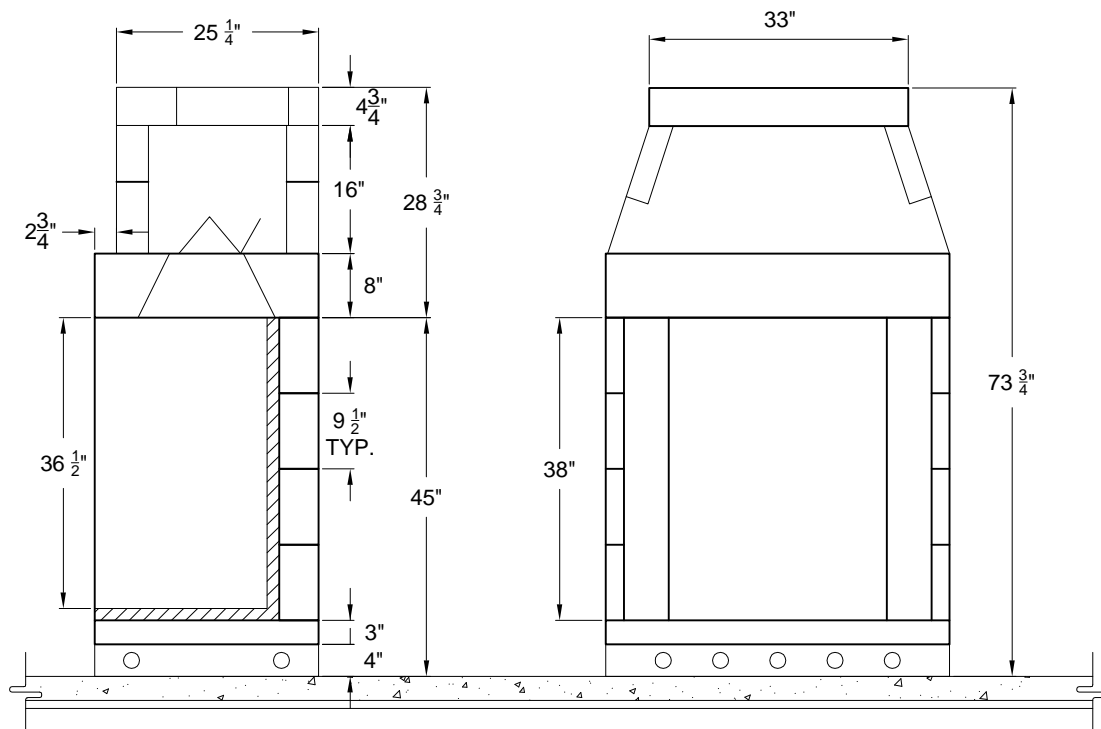
SCALE: 1/2" = 1'-0"



Fireplaces and Chimney Systems  
A PRODUCT OF EARTHCORE INDUSTRIES, LLC

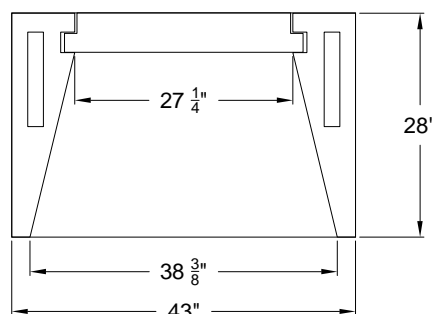
6899 PHILLIPS INDUSTRIAL BLVD  
JACKSONVILLE, FLORIDA 32256  
TEL (904) 363-3417  
FAX (904) 363-3408  
www.isokern.net

DWG. NO.	SCALE	REVISIONS	BY
MF1.1	1/2" = 1'-0"		
DESCRIPTION			
Magnum 28 Fire-Lite			
DATE	DB:		
01/25/2010	JMK		



SECTION A-A

FRONT VIEW



PLAN VIEW

## PLAN, SECTION and ELEVATION of ISOKERN 36 FIRE-LITE

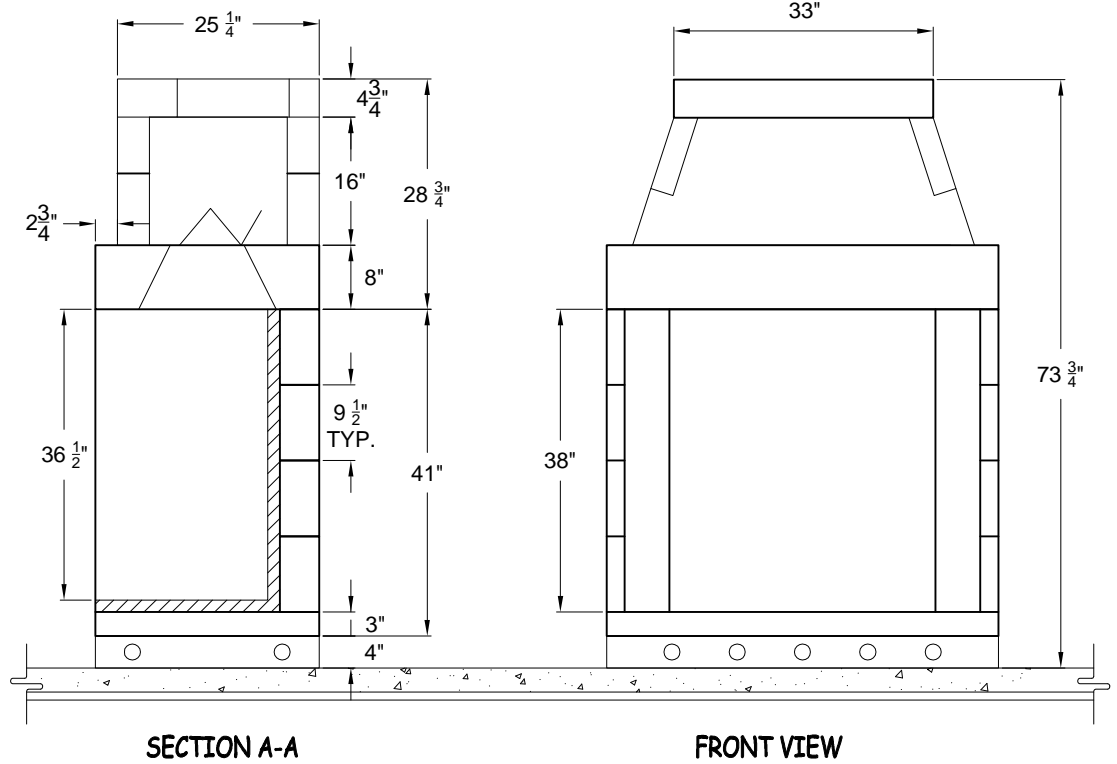
SCALE: 1/2" = 1'-0"

**ISOKERN**<sup>®</sup>  
Fireplaces and Chimney Systems  
A PRODUCT OF EARTHCORE INDUSTRIES, LLC

6899 PHILLIPS INDUSTRIAL BLVD  
JACKSONVILLE, FLORIDA 32256  
TEL (904) 363-3417  
FAX (904) 363-3408  
www.isokern.net

DWG. NO.	SCALE
MF1.2	1/2" = 1'-0"
DESCRIPTION	
Magnum 36 Fire-Lite	
DATE	DB:
01/25/2010	JMK

REVISIONS	BY



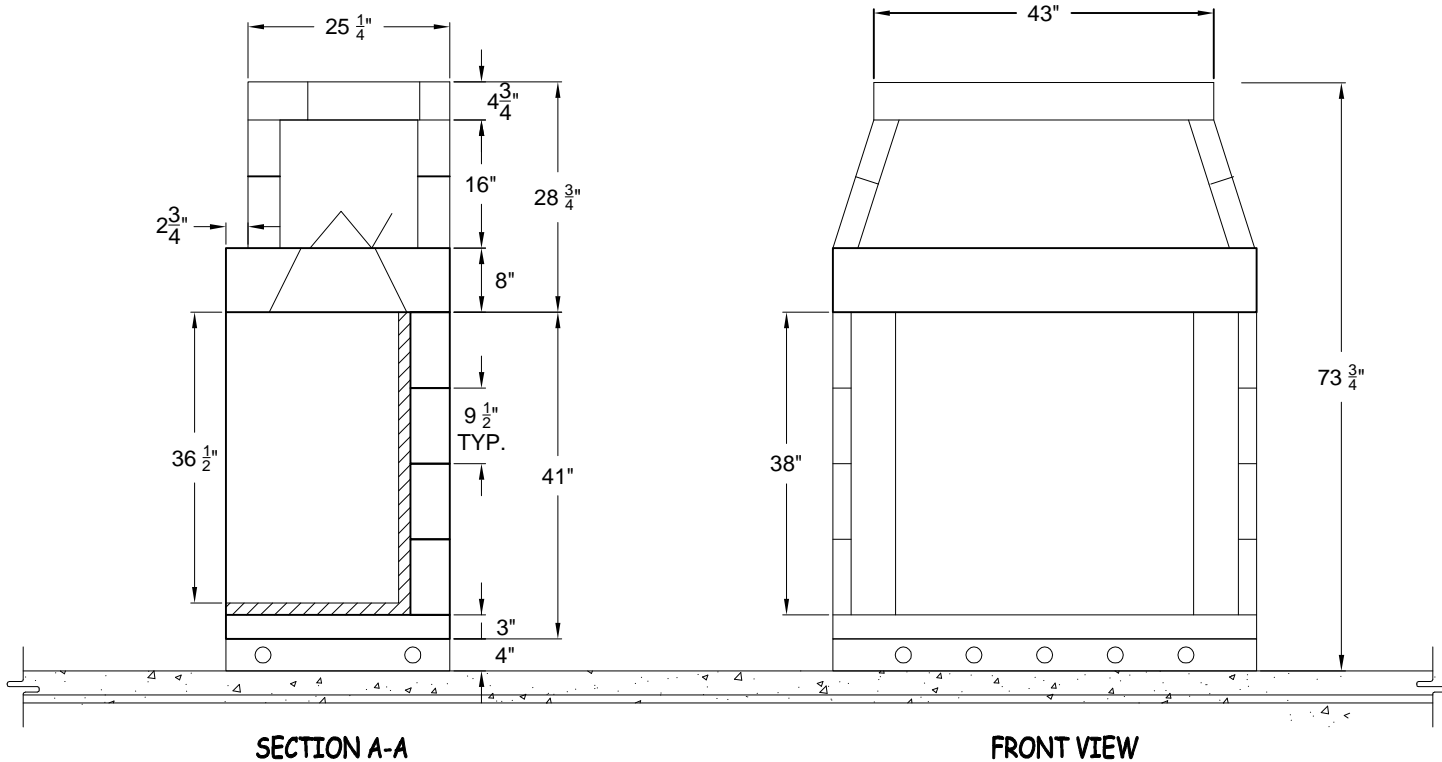
# PLAN, SECTION and ELEVATION of ISOKERN 42 FIRE-LITE

SCALE: 1/2" = 1'-0"

**ISOKERN**<sup>®</sup>  
Fireplaces and Chimney Systems  
A PRODUCT OF EARTHCORE INDUSTRIES, LLC

6899 PHILLIPS INDUSTRIAL BLVD  
JACKSONVILLE, FLORIDA 32256  
TEL (904) 363-3417  
FAX (904) 363-3408  
www.isokern.net

DWG. NO.	SCALE	REVISIONS	BY
MF1.3	$\frac{1}{2}" = 1'-0"$		
DESCRIPTION			
Magnum 42 Fire-Lite			
DATE	DB:		
01/25/2010	JMK		



# PLAN, SECTION and ELEVATION of ISOKERN 48 FIRE-LITE

SCALE: 1/2" = 1'-0"



Fireplaces and Chimney Systems  
A PRODUCT OF EARTH CORE INDUSTRIES, LLC

6899 PHILLIPS INDUSTRIAL BLVD  
JACKSONVILLE, FLORIDA 32256  
TEL (904) 363-3417  
FAX (904) 363-3408  
www.isokern.net

DWG. NO.	SCALE	REVISIONS	BY
MF1.4	1/2" = 1'-0"		
DESCRIPTION			
Magnum 48 Fire-Lite			
DATE	DB:		
01/25/2010	JMK		

# ISOKERN UNVENTED GAS LOG ENCLOSURE SPECIFICATIONS:

## I. MANUFACTURER:

A. ISOKERN Fireplace and Chimney Systems, North American distribution by Earthcore Industries, Inc., Jacksonville, Florida (Telephone 800-642-2920).

## II. PRODUCT DESCRIPTION:

- A. Modular refractory masonry precast fireplace and chimney components.
1. Designed for field assembly as a masonry enclosure for an unvented decorative gas log.
  2. All interlocking parts necessary for assembly of a complete firebox.

## III. MATERIALS:

- A. Light weight concrete of a proprietary mixture of Icelandic volcanic pumice aggregate and aluminate cement for precast firebox components.
1. Compressive Strength: Firebox components: 972 psi.
- B. Premixed (dry) ISOKERN LIP mortar, masonry adhesive.
1. Tensile strength: 807 psi; compressive strength: 2460 psi.
  2. ASTM 48261T.
- C. Standard 1 1/8" thick high temperature refractory brick to line firebox interior.

## IV. INSTALLATION:

- A. Reference manufacturer's installation instructions for standard configurations, weights, sizes and installation details.
- B. Suitable masonry foundation or structural wood floor system.
- C. Unit to be assembled on site per manufacturer's illustrated instructions.
1. Premixed ECI mortar is used at all joints between components.
  2. Firebox to be lined with minimum 1 1/8" thick rated fire brick.
- D. Standard fireplace and chimney units listed for "zero clearance" to uninsulated wood framing members.

## V. CERTIFICATION:

- A. Warnock Hersey/Intertek Testing Services Report No. 13001A-764.
- B. Meets or exceeds IAS 2-97; ANSI Z21.91-2007.

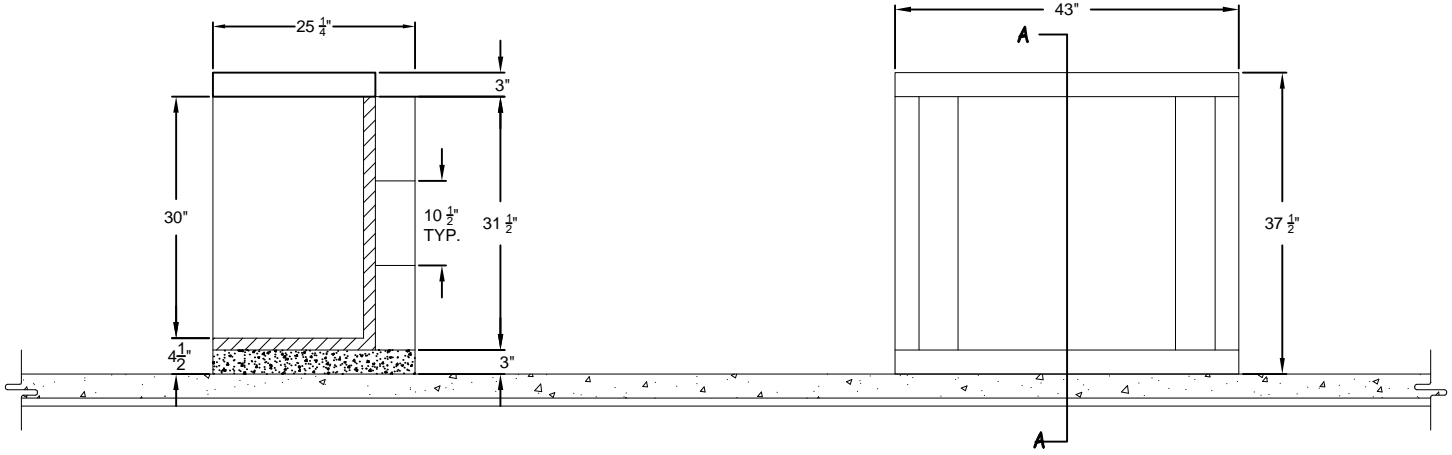
## VI. CODE COMPLIANCE:

ICC No. ESR - 2316



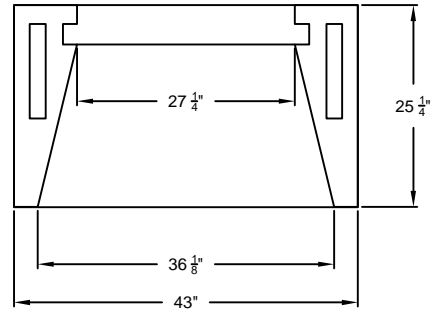
6899 PHILLIPS INDUSTRIAL BLVD  
JACKSONVILLE, FLORIDA 32256  
TEL (904) 363-3417  
FAX (904) 363-3408  
www.isokern.net

DWG. NO.	SCALE	REVISIONS	BY
VF1.0	NTS		
DESCRIPTION			
Vent-Free Specifications			
DATE	DB:		
09/01/2009	JMK		



SECTION A-A

FRONT VIEW



PLAN VIEW

**PLAN, SECTION and ELEVATION of  
ISOKERN 36 UNVENTED GAS LOG ENCLOSURE**

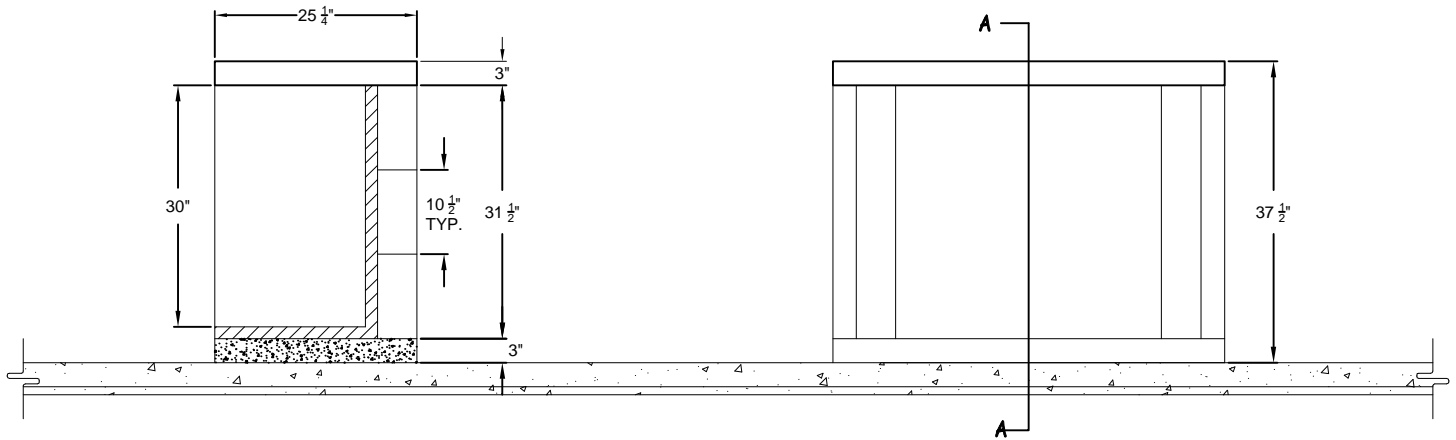


Fireplaces and Chimney Systems  
A PRODUCT OF EARTH CORE INDUSTRIES, LLC

6899 PHILLIPS INDUSTRIAL BLVD  
JACKSONVILLE, FLORIDA 32256  
TEL (904) 363-3417  
FAX (904) 363-3408  
www.isokern.net

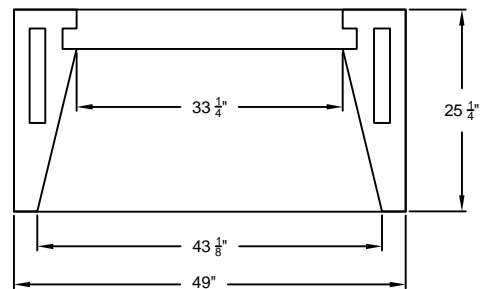
DWG. NO.	SCALE
VF1.1	$\frac{1}{2}'' = 1'-0''$
DESCRIPTION	
Vent-Free 36	
DATE	DB:
09/01/2009	JMK

REVISIONS	BY



SECTION A-A

FRONT VIEW



PLAN VIEW

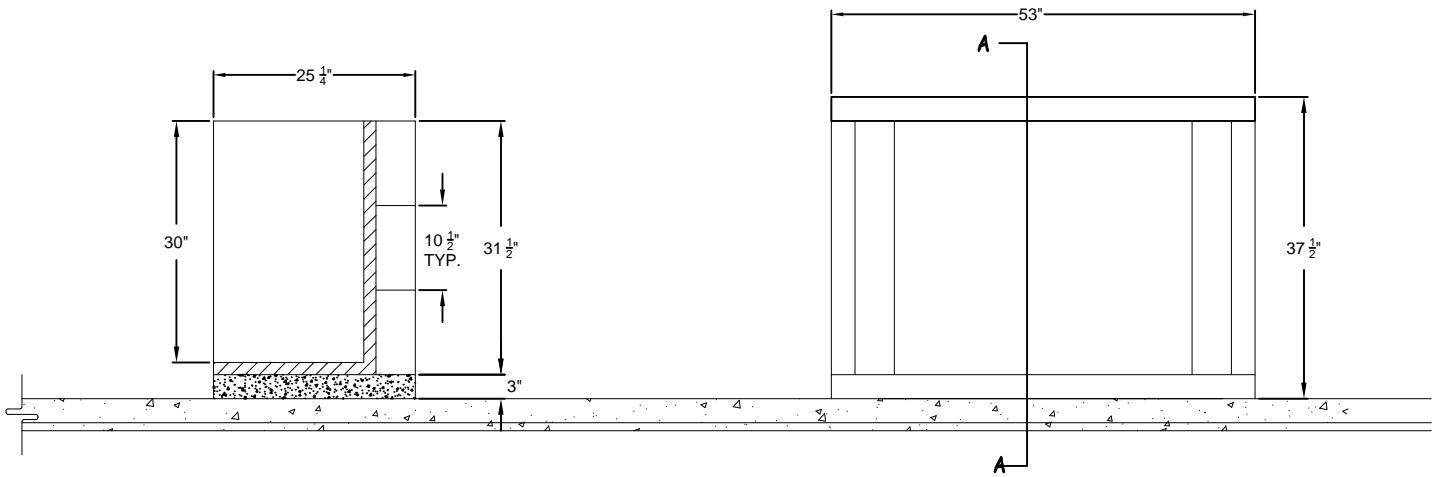
**PLAN, SECTION and ELEVATION of  
ISOKERN 42 UNVENTED GAS LOG ENCLOSURE**



Fireplaces and Chimney Systems  
A PRODUCT OF EARTH CORE INDUSTRIES, LLC

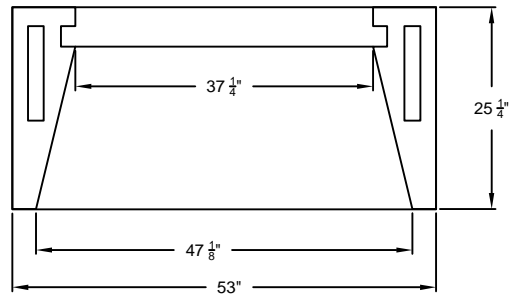
6899 PHILLIPS INDUSTRIAL BLVD  
JACKSONVILLE, FLORIDA 32256  
TEL (904) 363-3417  
FAX (904) 363-3408  
www.isokern.net

DWG. NO.	SCALE	REVISIONS	BY
VF1.2	$\frac{1}{2}'' = 1'-0''$		
DESCRIPTION			
Vent-Free 42			
DATE	DB:		
09/01/2009	JMK		



SECTION A-A

FRONT VIEW



PLAN VIEW

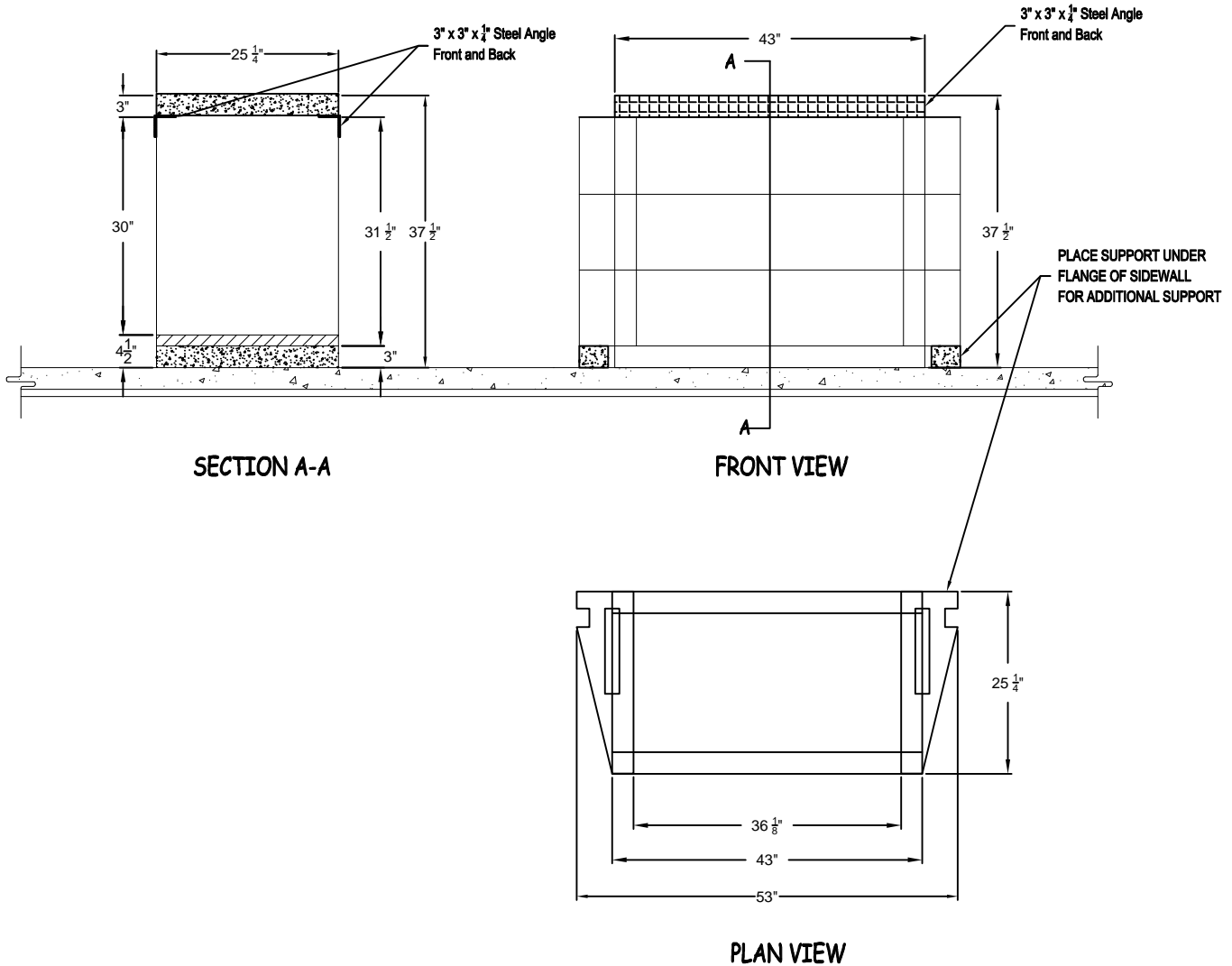
**PLAN, SECTION and ELEVATION of  
ISOKERN 46 UNVENTED GAS LOG ENCLOSURE**



Fireplaces and Chimney Systems  
A PRODUCT OF EARTHCORE INDUSTRIES, LLC

6899 PHILLIPS INDUSTRIAL BLVD  
JACKSONVILLE, FLORIDA 32256  
TEL (904) 363-3417  
FAX (904) 363-3408  
www.isokern.net

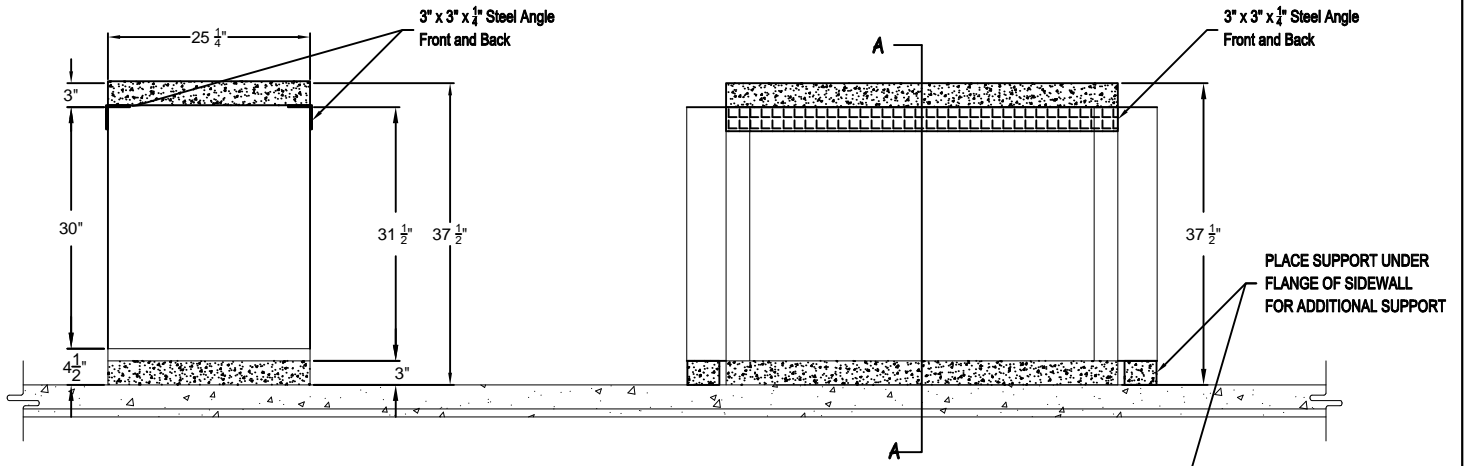
DWG. NO.	SCALE	REVISIONS	BY
VF1.3	$\frac{1}{2}'' = 1' - 0''$		
DESCRIPTION			
Vent-Free 46			
DATE	DB:		
09/01/2009	JMK		



Fireplaces and Chimney Systems  
A PRODUCT OF EARTH CORE INDUSTRIES, LLC

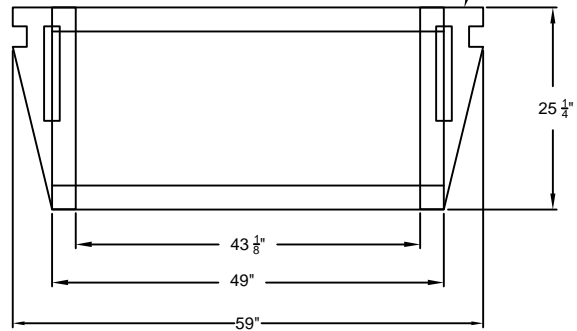
6899 PHILLIPS INDUSTRIAL BLVD  
JACKSONVILLE, FLORIDA 32256  
TEL (904) 363-3417  
FAX (904) 363-3408  
www.isokern.net

DWG. NO.	SCALE	REVISIONS	BY
VF2.1	1/2" = 1'-0"		
DESCRIPTION			
Vent-Free 36 - See Thru			
DATE	DB:		
09/01/2009	JMK		



SECTION A-A

FRONT VIEW



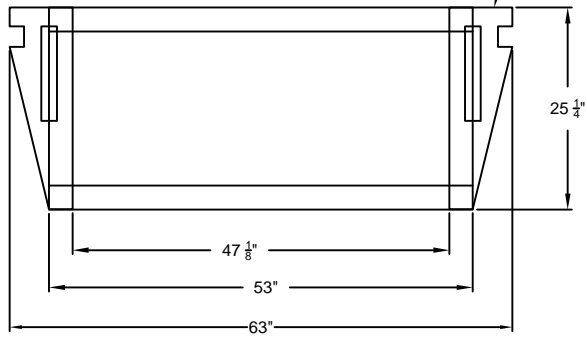
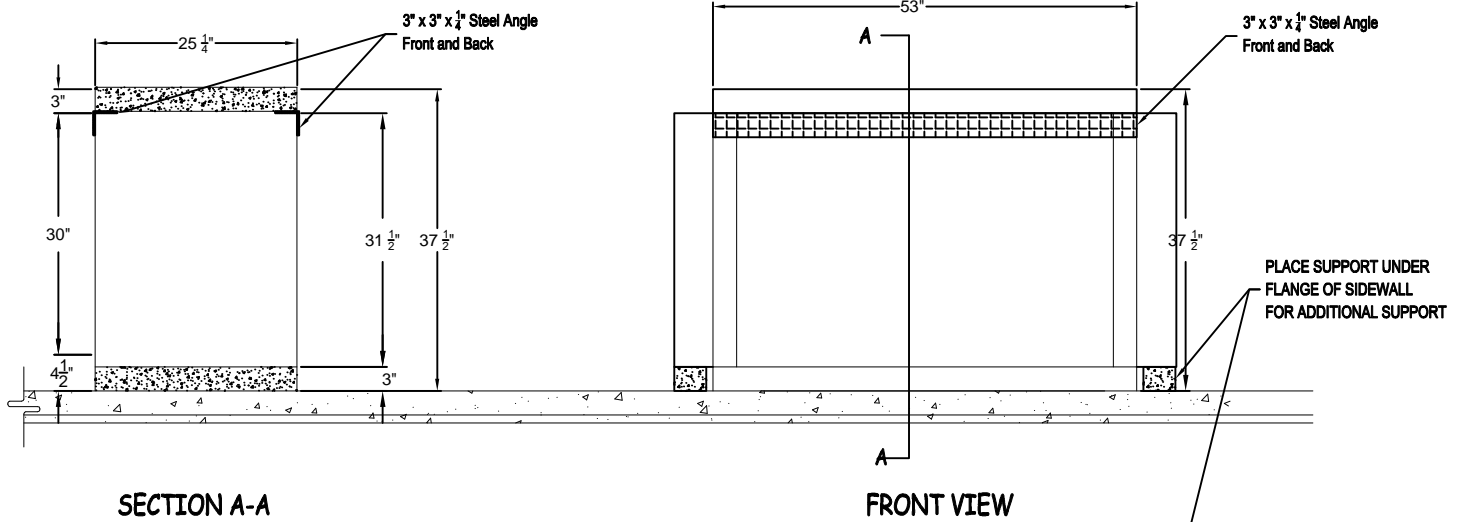
PLAN VIEW



Fireplaces and Chimney Systems  
A PRODUCT OF EARTHCORE INDUSTRIES, LLC

6899 PHILLIPS INDUSTRIAL BLVD  
JACKSONVILLE, FLORIDA 32256  
TEL (904) 363-3417  
FAX (904) 363-3408  
www.isokern.net

DWG. NO.	SCALE	REVISIONS	BY
VF2.2	$\frac{1}{2}'' = 1' - 0''$		
DESCRIPTION			
Vent-Free 42 - See Thru			
DATE	DB:		
09/01/2009	JMK		



SECTION A-A

FRONT VIEW

PLAN VIEW

**ISOKERN**<sup>®</sup>  
 Fireplaces and Chimney Systems  
 A PRODUCT OF EARTHCORE INDUSTRIES, LLC

6899 PHILLIPS INDUSTRIAL BLVD  
 JACKSONVILLE, FLORIDA 32256  
 TEL (904) 363-3417  
 FAX (904) 363-3408  
 www.isokern.net

DWG. NO.	SCALE
VF2.3	$\frac{1}{2}'' = 1'-0''$
DESCRIPTION	
Vent-Free 46 - See Thru	
DATE	DB:
09/01/2009	JMK

REVISIONS	BY

# ISOKERN GREENTECH FIREPLACE AND CHIMNEY

## SPECIFICATIONS:

### I. MANUFACTURER:

A. Earthcore Industries, LLC., Jacksonville, FL (Telephone 800-642-2920)

### II. PRODUCT DESCRIPTION:

- A. Modular refractory precast fireplace and chimney components.
1. Designed for field assembly as a fireplace and chimney unit.
  2. All interlocking parts necessary for assembly of a complete firebox and smoke dome.
  3. EPA Phase II Catalytic Combustor Kit
  4. Interlocking double module chimney components (DM).

### III. MATERIALS:

- A. Light weight concrete of a proprietary mixture of Icelandic volcanic pumice aggregate and cement for precast firebox, chimney block and flue liner components.
1. Compressive Strength: Firebox and Chimney Block: 972 psi.
  2. Compressive Strength: Flue Liner: 1175 psi.
- B. Premixed (dry) EARTHCORE ADHESIVE.
1. Tested per ASTM C109, ASTM C307, and ANSI 118.4.
- C. Standard 1 1/8" medium duty refractory brick to line firebox interior.
- D. Top mount or in-line damper available must be utilized.

### IV. INSTALLATION:

- A. Reference manufacturer's installation instructions for standard configurations, weights, sizes, combustor location and installation details.
- B. Suitable masonry foundation and noncombustible hearth extensions must be provided.
- C. Unit to be assembled on site per manufacturer's illustrated instructions.
1. Premixed EARTHCORE ADHESIVE is used at all joints between components.
  2. Firebox to be lined with a minimum 1 1/8" rated firebrick.
- D. Standard fireplace and chimney units listed for one and one half inches to uninsulated wood framing members.
- E. Combustor replacement every 3-5 years.
- F. A 3" minimum clearance envelope to insulation required.

### V. CERTIFICATION:

- A. Omni Testing Services Report No. 257-F-06-3
- B. Meets or exceeds EPA Phase II Emissions level

### VI. CODE COMPLIANCE:

- A. Standard fireplace and chimney units listed for one and one half inches to uninsulated wood framing members.

Note: Isokern components are a natural material and slight variations in dimensions may occur. These should be no more than  $\frac{1}{8}$ ".



Fireplaces and Chimney Systems  
A PRODUCT OF EARTHCORE INDUSTRIES, LLC

6899 PHILLIPS INDUSTRIAL BLVD  
JACKSONVILLE, FLORIDA 32256  
TEL (904) 363-3417  
FAX (904) 363-3408  
www.isokern.net

DWG. NO.

GT1.0

SCALE

NTS

GreenTech - S 36C  
EPA Phase II Approved

DATE

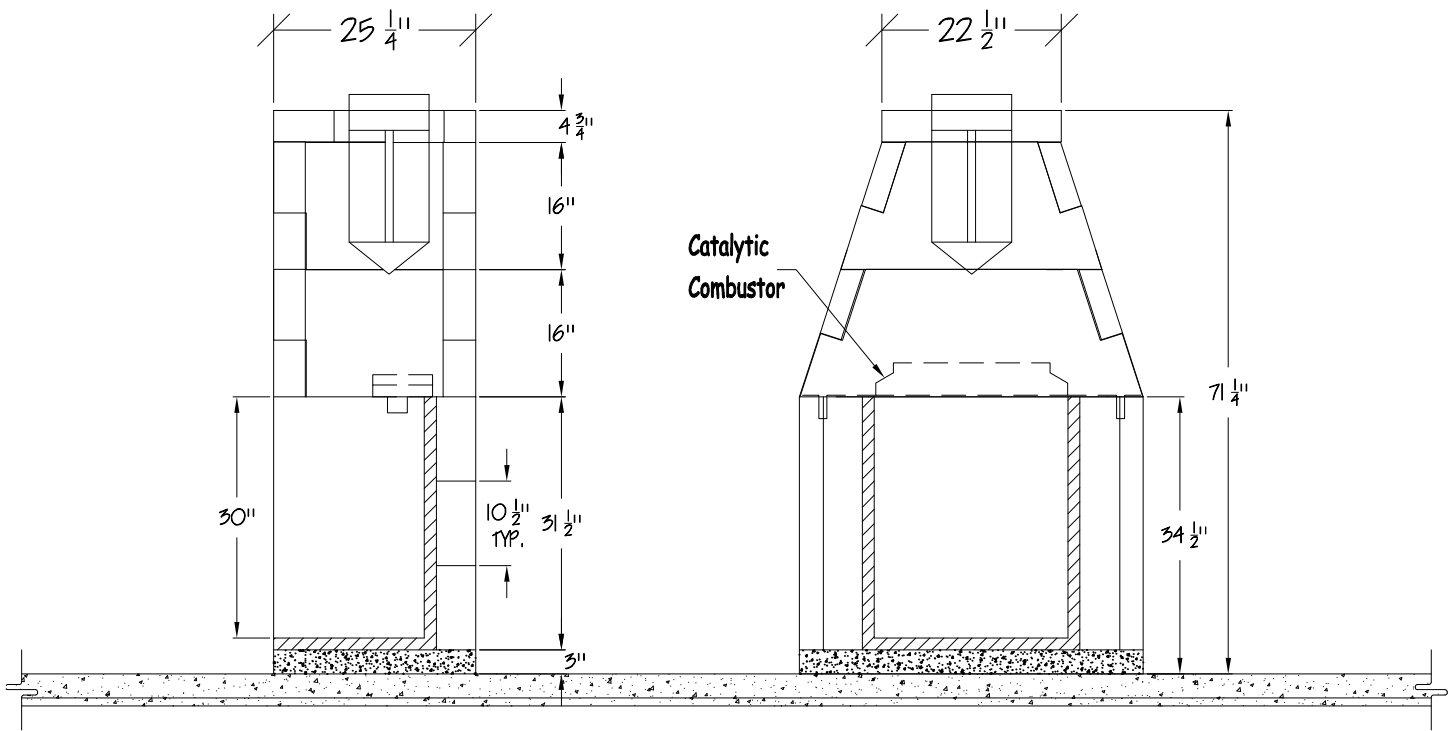
02/15/2010

DB:

JMK

REVISIONS BY

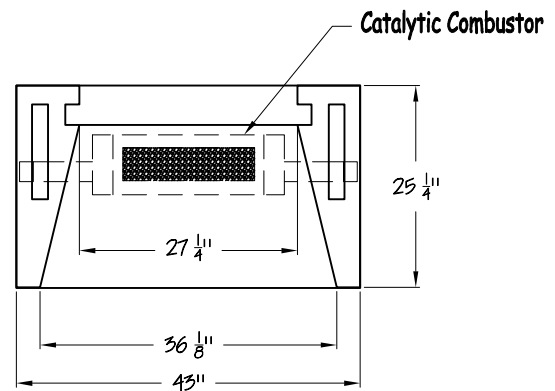
REVISIONS	BY



SECTION A-A

FRONT VIEW

PLAN, SECTION and ELEVATION of  
GreenTech S 36C FIREPLACE



PLAN VIEW



Fireplaces and Chimney Systems  
A PRODUCT OF EARTH CORE INDUSTRIES, LLC

6899 PHILLIPS INDUSTRIAL BLVD  
JACKSONVILLE, FLORIDA 32256  
TEL (904) 363-3417  
FAX (904) 363-3408  
www.isokern.net

DWG. NO.

GT1.1

SCALE

1/2" = 1'-0"

GreenTech - S 36C  
EPA Phase II Approved

DATE

02/15/2010

DB:

JMK

REVISIONS

BY

REVISIONS	BY

## I. MANUFACTURER:

A. ISOKERN Fireplace and Chimney Systems, North America distribution by Earthcore Industries, LLC, Jacksonville, Florida (Telephone 800-642-2920)

## II. PRODUCT DESCRIPTION:

A. Modular refractory masonry precast chimney components.

1. Designed for field assembly as a chimney unit.
2. All interlocking parts necessary for assembly of a complete Class "A" masonry chimney unit.
3. Interlocking double module chimney components.

## III. MATERIALS:

A. Light weight concrete of a proprietary mixture of Icelandic volcanic aggregate and aluminum cement for chimney block and flue liner components.

1. Compressive Strength: Chimney Block: 972 psi.
2. Compressive Strength: Flue Liner: 1175 psi.

B. Premixed (dry) EARTHCORE ADHESIVE.

1. Tensile strength: 807 psi; Compressive strength: 2460 psi.
2. Tested per ASTM C109, ASTM C307, and ANSI 118.4.

## IV. INSTALLATION:

A. Reference manufacturer's installation instructions for standard configurations, weights, sizes and installation details.

B. Chimneys to be assembled on site per manufacturer's illustrated instructions.

1. Premixed EARTHCORE ADHESIVE is used at all joints between components.

D. Chimney system listed for "zero clearance" to uninsulated wood framing members.

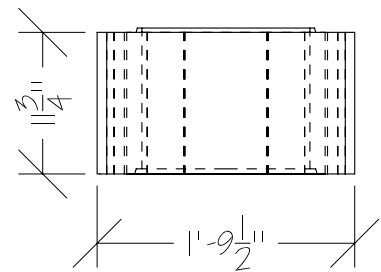
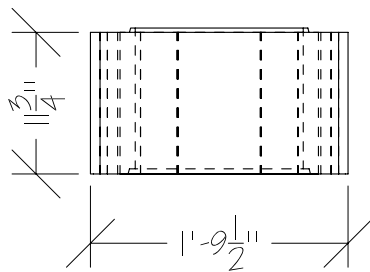
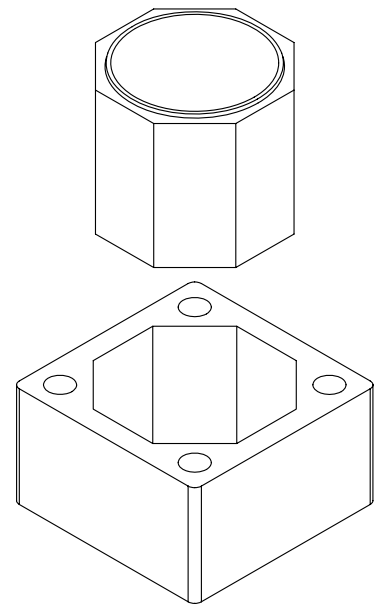
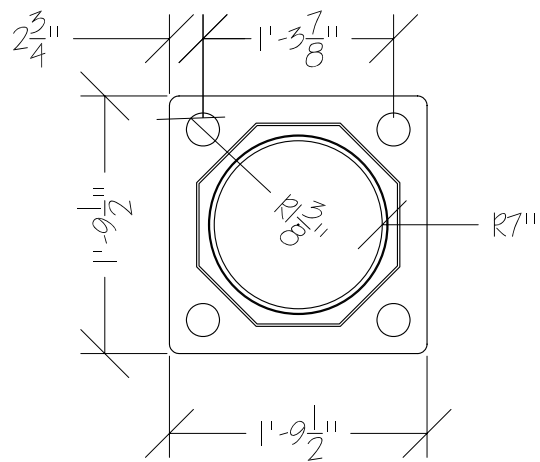
## V. CERTIFICATION:

A. Warnock Hersey/Intertek Testing Services Report No. 632-912500.

B. Meets or exceeds U.L. 103HT; U.L. 1777; U.L.C. 5610.

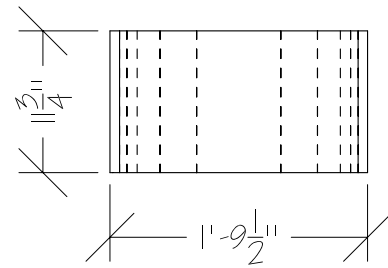
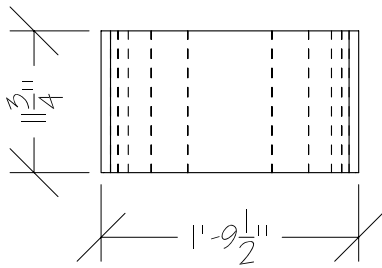
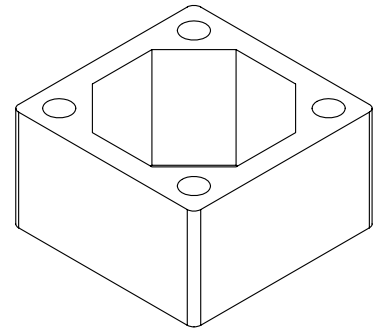
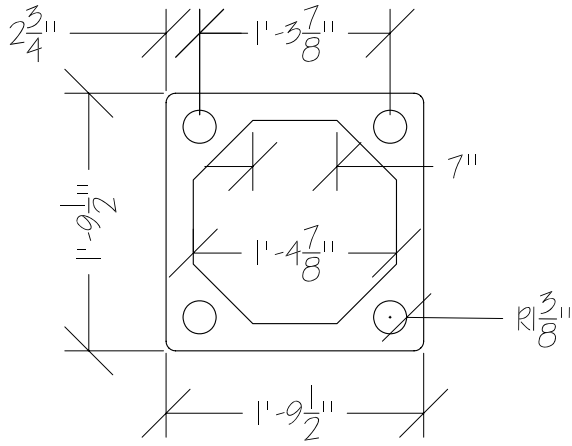
## VI. CODE COMPLIANCE:

A. I.C.B.O. No. 5017 / LARR #2823 / MEA N.Y.C. 241-90-E / ICC ER-5017.



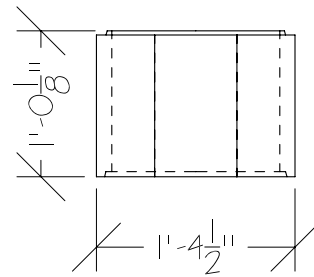
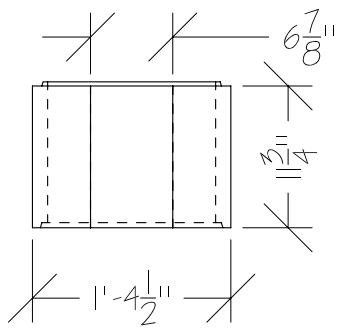
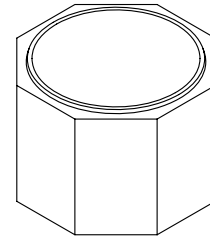
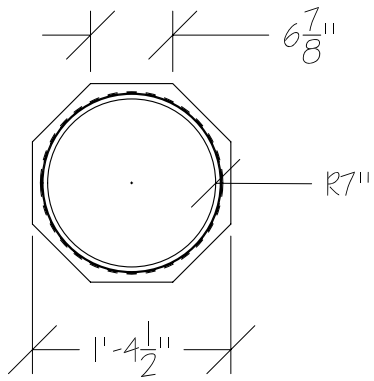
earthcore<sup>®</sup>  
INDUSTRIES, L.L.C.

TITLE		
NESTED DM54 INNER AND OUTER		
DWG NUMBER	RELEASE DATE	REV DATE
7.2	01/01/07	



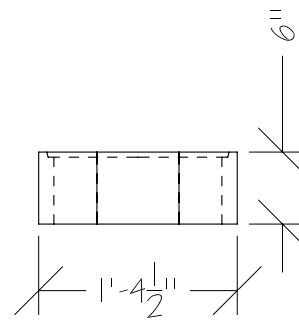
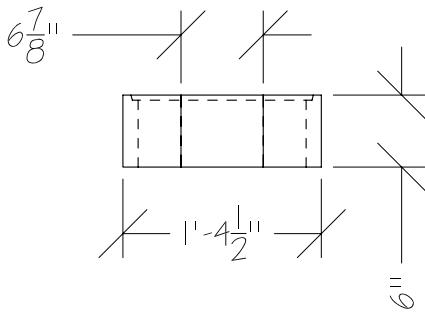
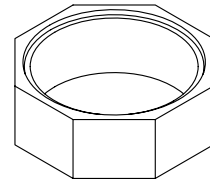
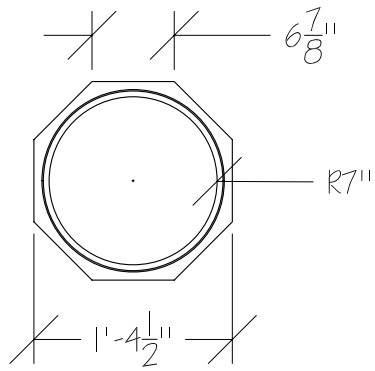
earthcore<sup>®</sup>  
INDUSTRIES, L.L.C.

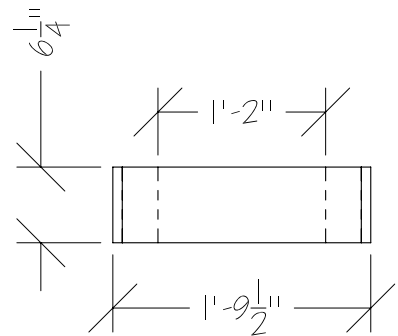
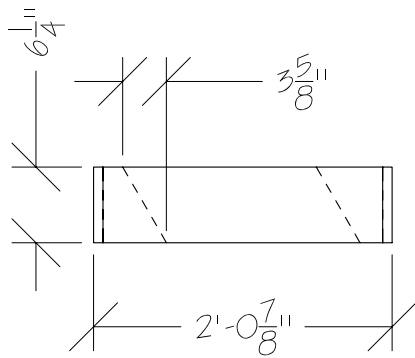
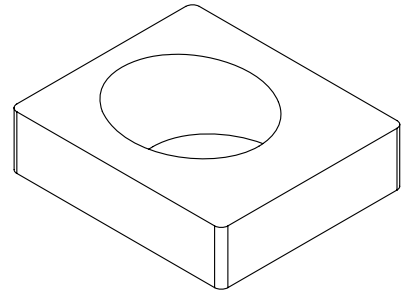
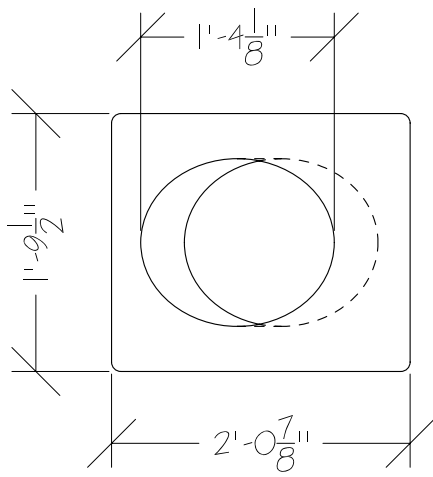
TITLE		
DM54 OUTER CASING		
DWG NUMBER	RELEASE DATE	REV DATE
7.3	01/01/07	



**earthcore**<sup>®</sup>  
INDUSTRIES, L.L.C.

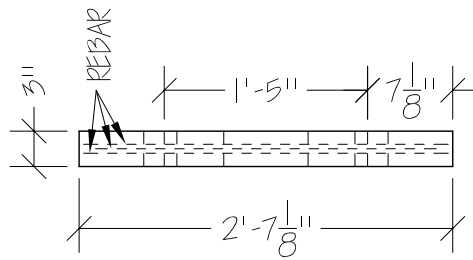
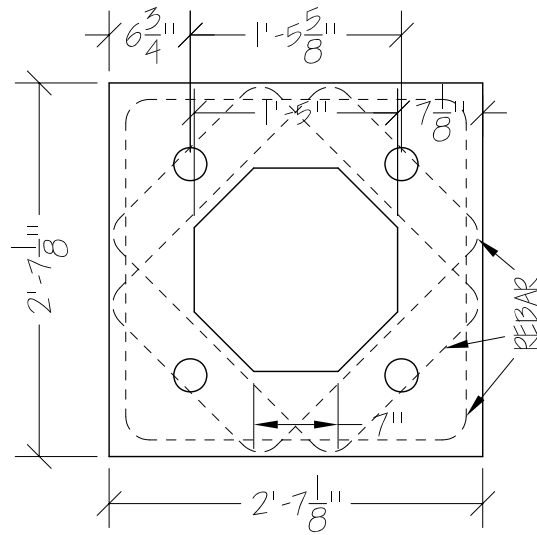
TITLE		
<b>DM54 INNER LINER</b>		
DWG NUMBER	RELEASE DATE	REV DATE
<b>7.4</b>	<b>01/01/07</b>	



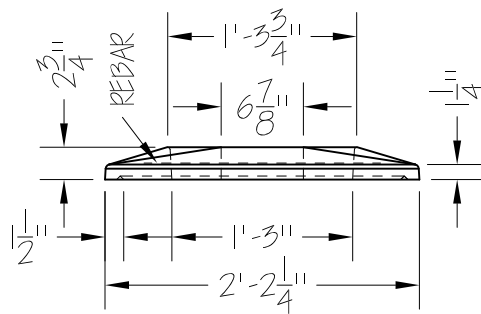
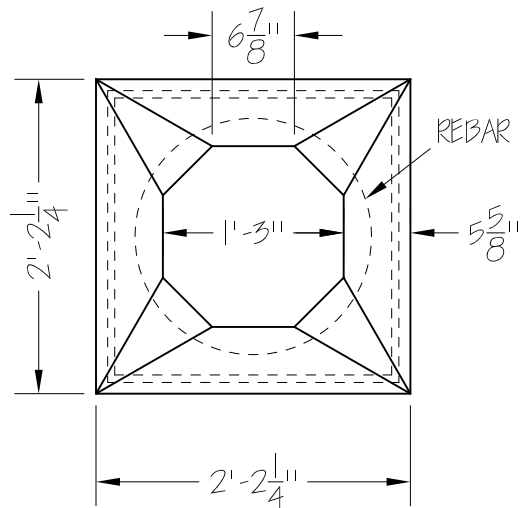


**earthcore**<sup>®</sup>  
INDUSTRIES, L.L.C.

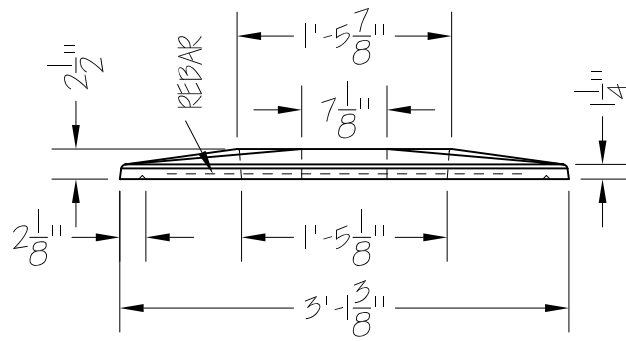
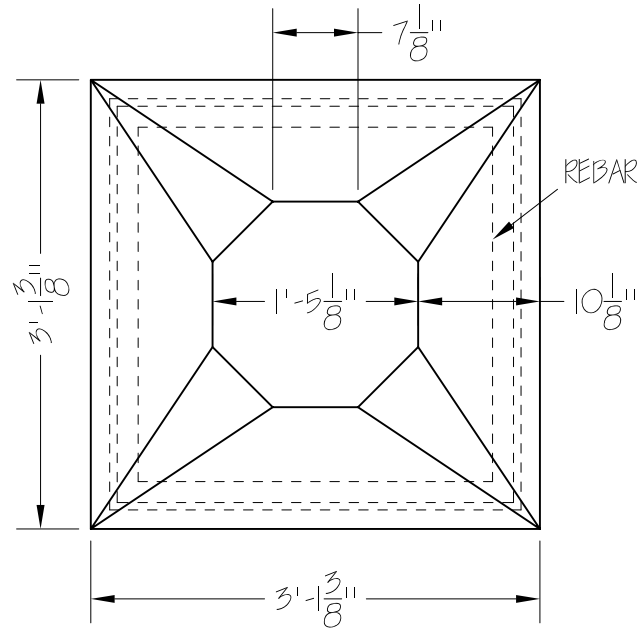
TITLE		
<b>OFFSET BLOCK</b>		
DWG NUMBER	RELEASE DATE	REV DATE
<b>7.6</b>	<b>01/01/07</b>	



TITLE		
<b>BRICKLEDGE</b>		
DWG NUMBER	RELEASE DATE	REV DATE
<b>7.7</b>	<b>01/01/07</b>	



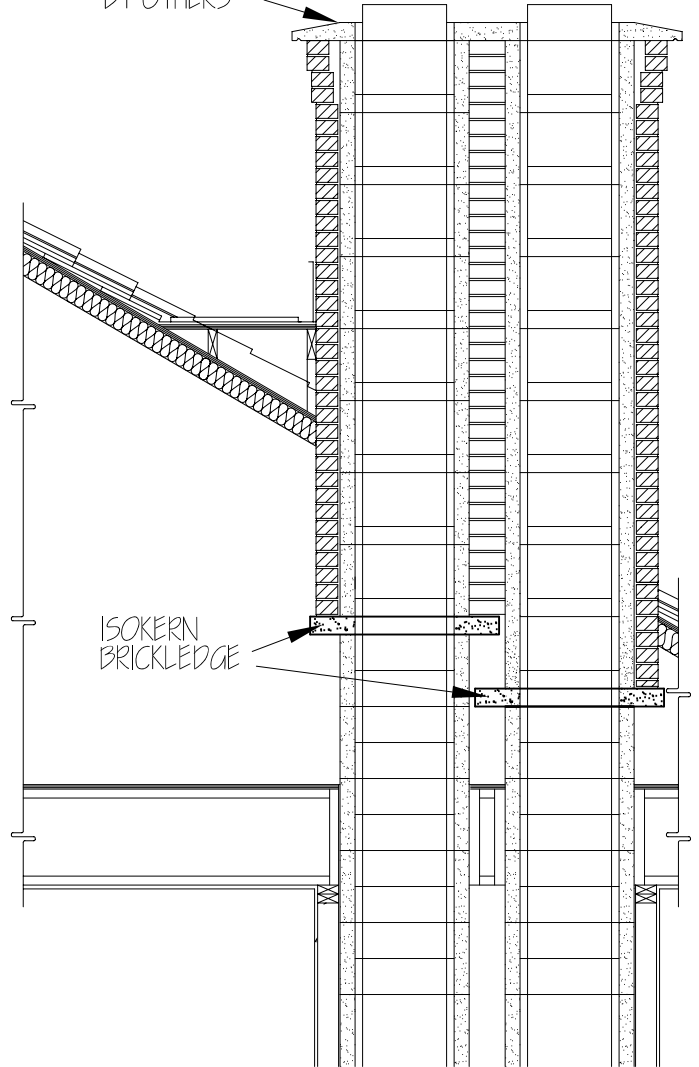
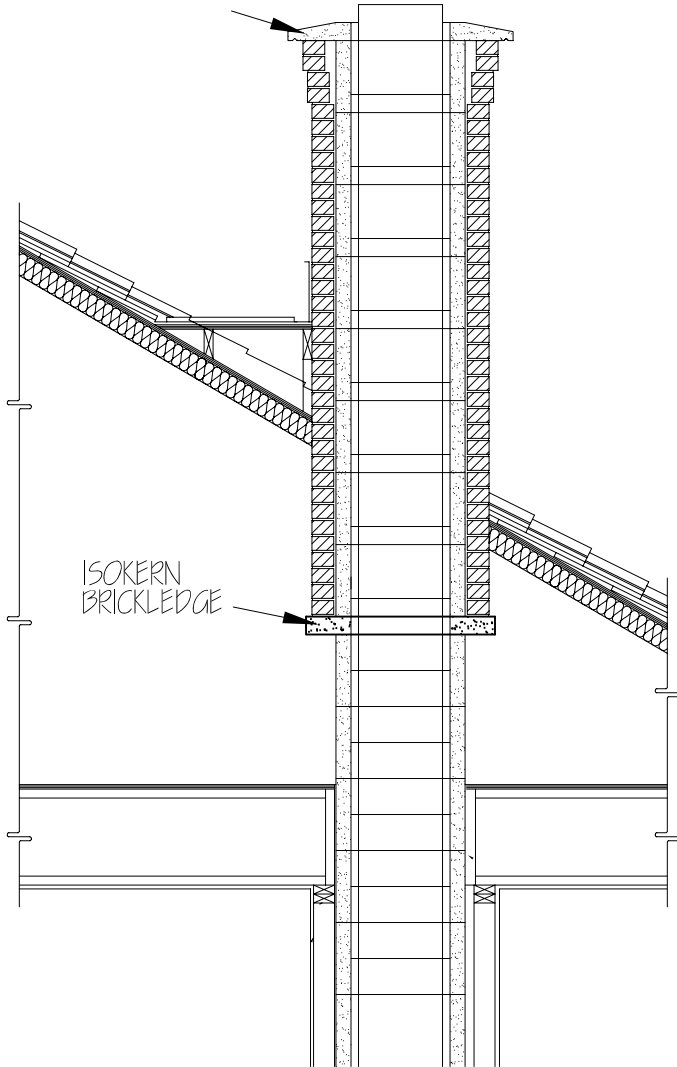
TITLE		
SMALL CROWN CAP		
DWG NUMBER	RELEASE DATE	REV DATE
7.8	01/01/07	



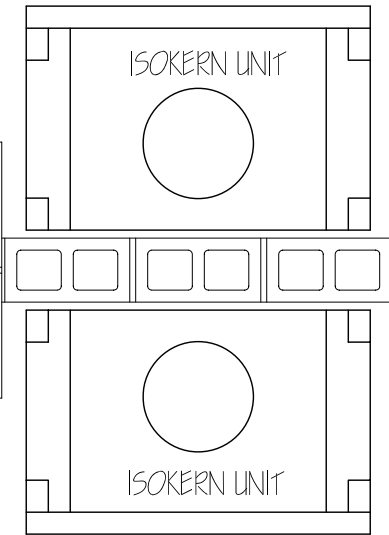
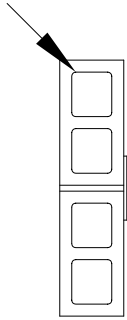
TITLE		
<b>LARGE CROWN CAP</b>		
DWG NUMBER	RELEASE DATE	REV DATE
<b>7.9</b>	<b>01/01/07</b>	

ISOKERN LARGE CROWN;  
37 1/2" x 37 1/2" x 3" HIGH

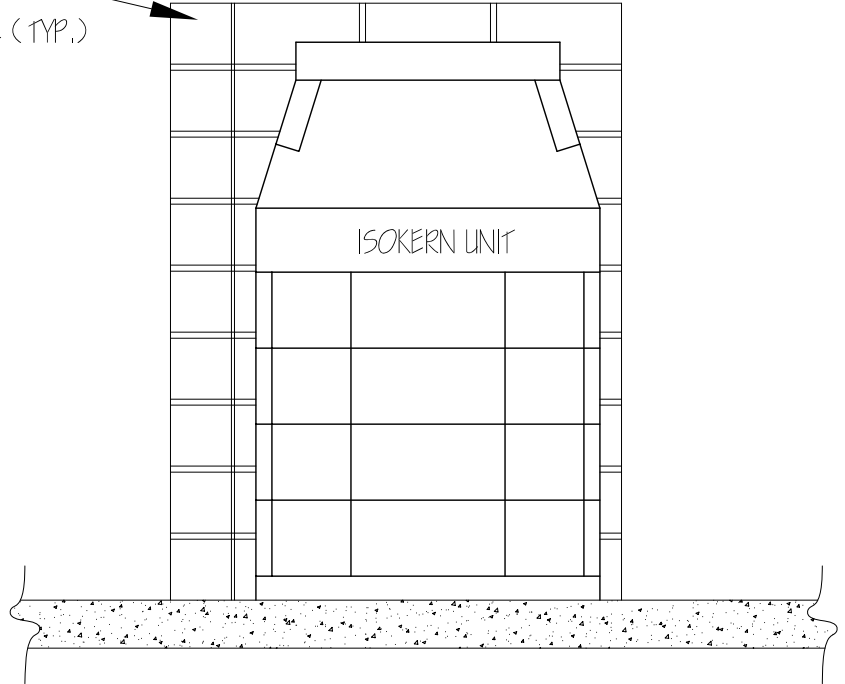
CONCRETE WASH  
BY OTHERS



CMU BLOCK  
WALL (TYP.)

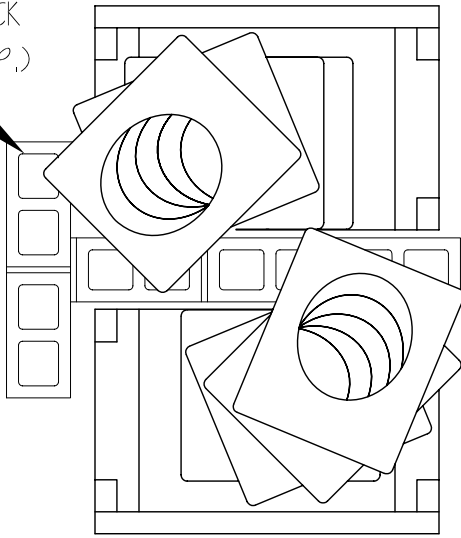


CMU BLOCK  
WALL (TYP.)

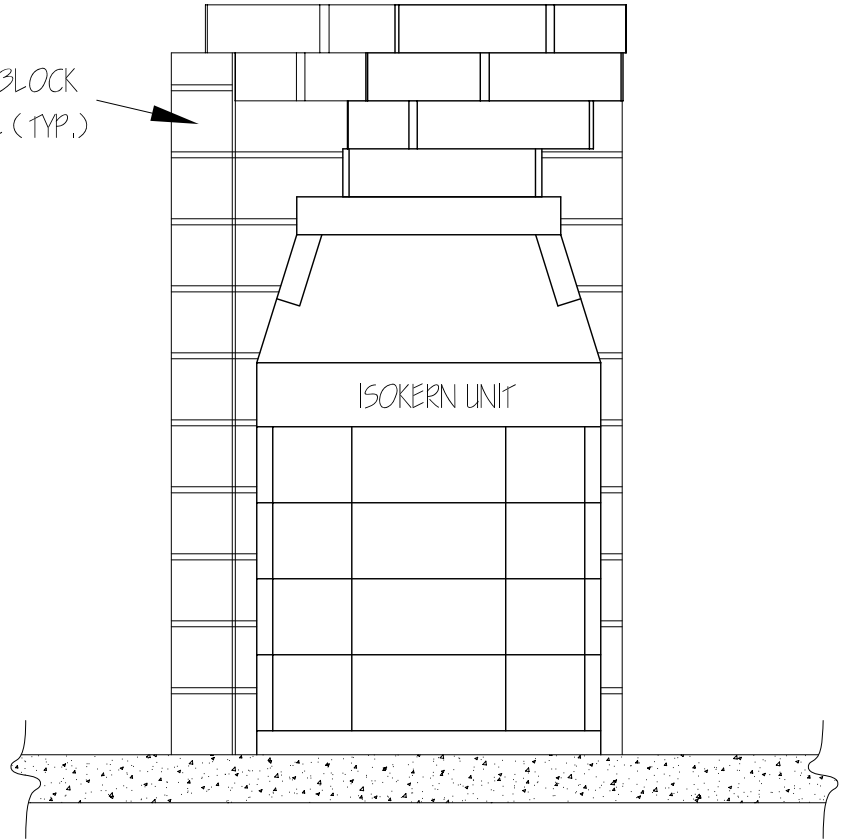


TITLE		
TWIN DM54 - PART 1		
DWG NUMBER	RELEASE DATE	REV DATE
7.11	01/01/07	

CMU BLOCK  
WALL (TYP.)

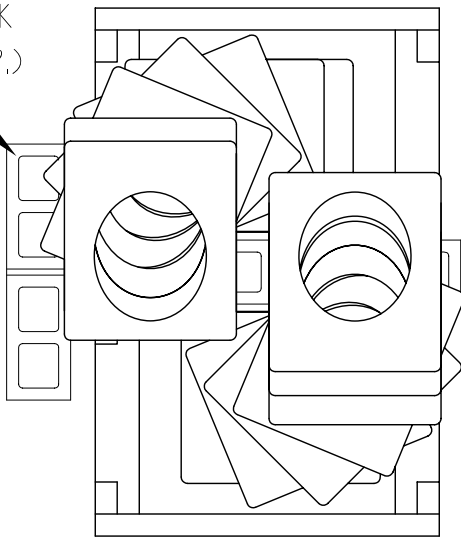


CMU BLOCK  
WALL (TYP.)

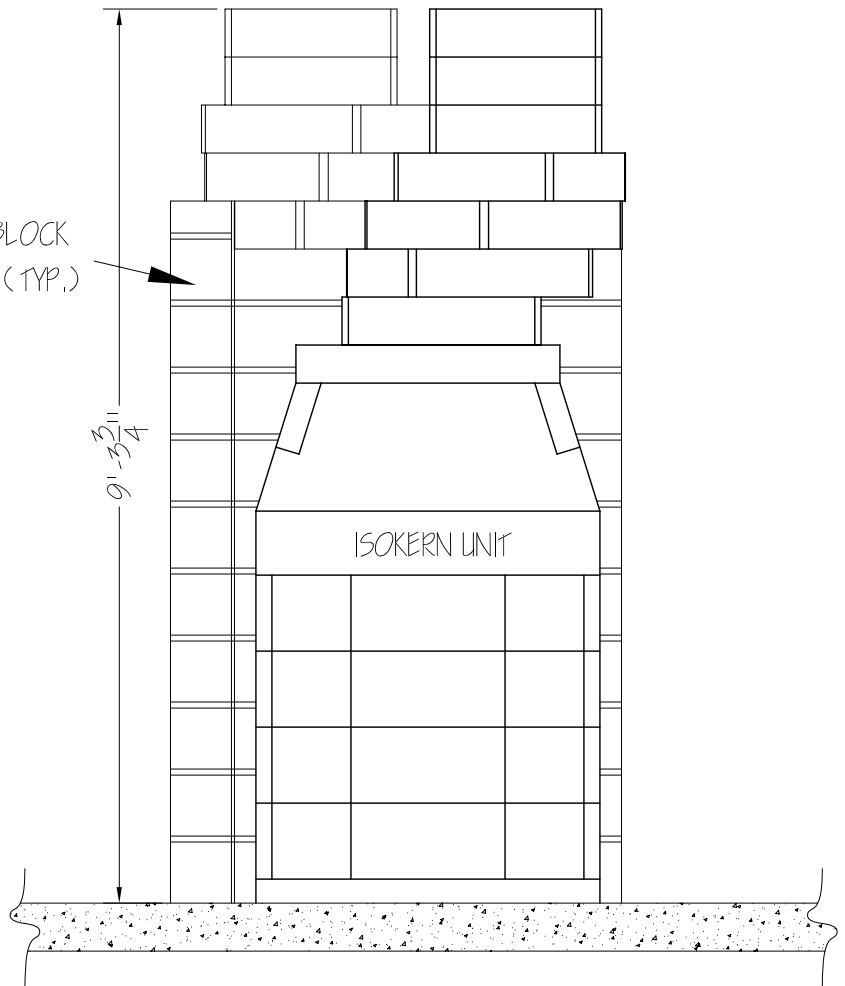


TITLE		
TWIN DM54 - PART 2		
DWG NUMBER	RELEASE DATE	REV DATE
7.12	01/01/07	

CMU BLOCK  
WALL (TYP.)



CMU BLOCK  
WALL (TYP.)



TITLE		
TWIN DM54 - PART 3		
DWG NUMBER	RELEASE DATE	REV DATE
7.13	01/01/07	

ISOKERN Modular Masonry Fireplaces are tested and listed for use with metal, factory-built, Class "A" solid fuel chimneys, as an option to the ISOKERN masonry chimney system.

The Class "A" metal flue selected for use with the ISOKERN Fireplace must come with a masonry attachment plate/starter collar, provided by the metal flue manufacturer.

The metal flue selected must be listed by a recognized agency as tested to UL 103 (Standard Safety for Factory-Built Chimneys for Residential Type and Building Heating Appliances) for continuous use of 1000 degrees Fahrenheit and intermittent use of 1700 degrees Fahrenheit.

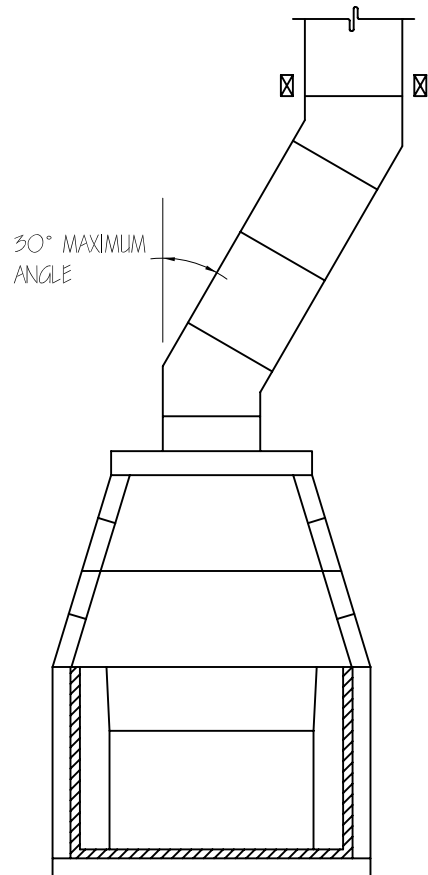
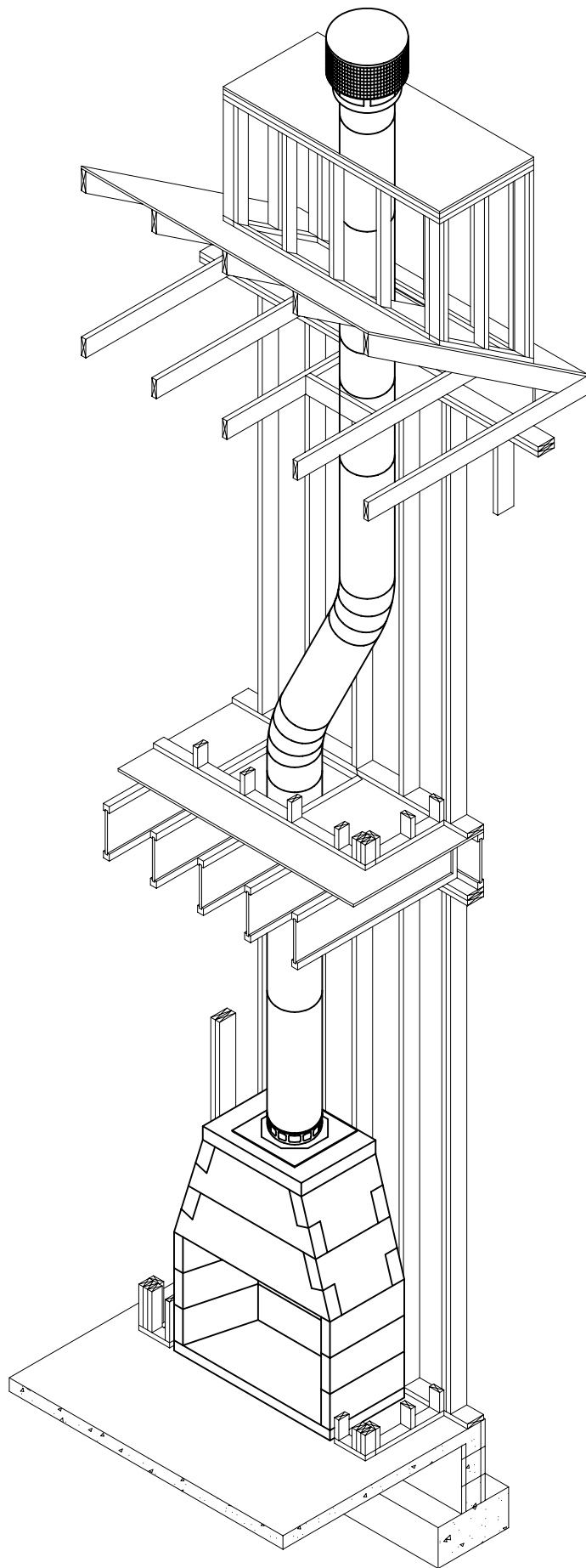
The factory-built metal flue design can be from the following types:

1. Double wall metal thermal siphon.
2. Double wall solid-pack insulation type.
3. A combination of insulation and air space design.
4. Triple-wall air space design.

Also, listed chimney liners conforming with the 1700 degree Fahrenheit requirements of UL 1777 (Standard for Safety for Chimney Liners) may also be used with the ISOKERN Fireplaces.

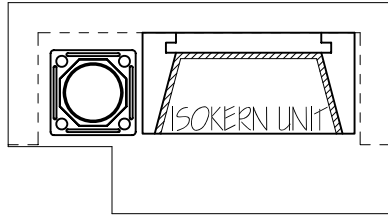
All metal flue and chimney liners must be installed in accordance with the metal flue manufacturer's installation instructions and under the terms of their listing for use with open faced fireplaces.

TITLE		
Class "A" Metal Flue Specifications		
DWG NUMBER	RELEASE DATE	REV DATE
8.1	01/01/07	



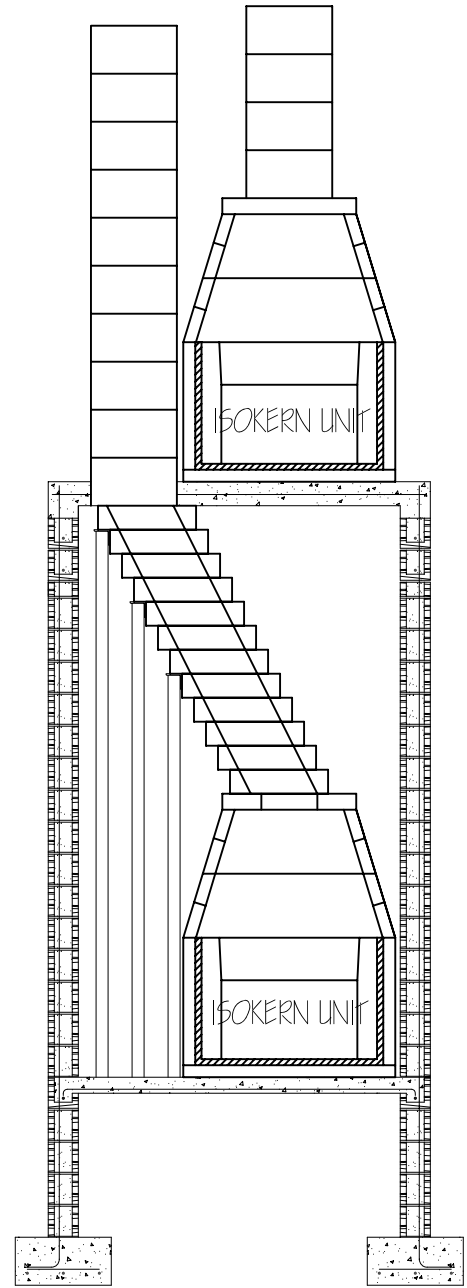
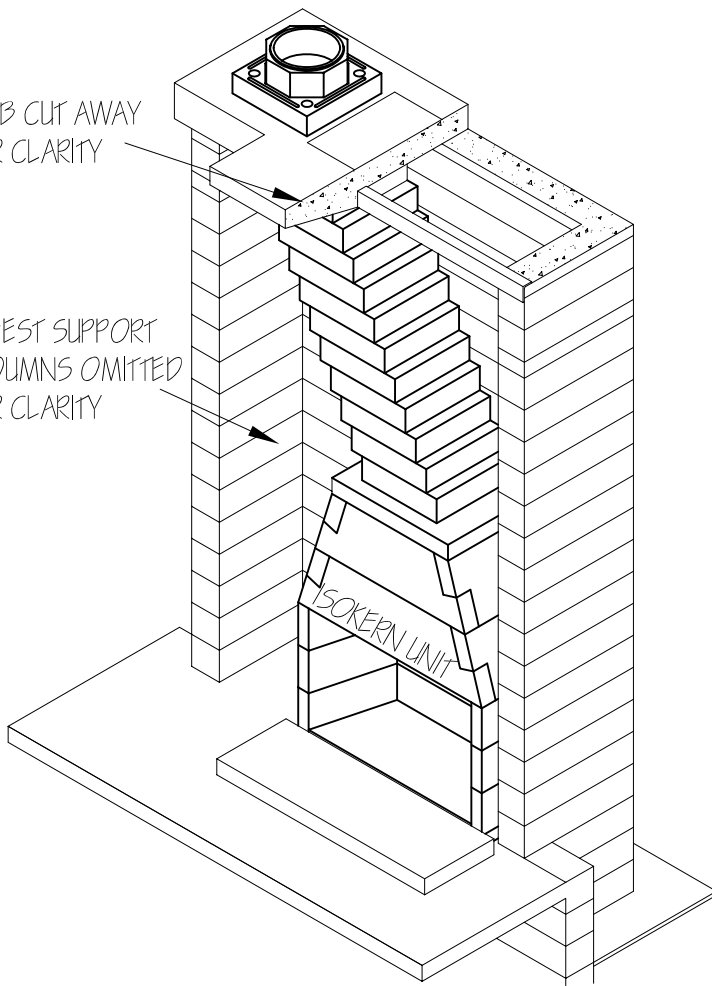
earthcore<sup>®</sup>  
INDUSTRIES, L.L.C.

TITLE		
CLASS "A" METAL FLUE		
DWG NUMBER	RELEASE DATE	REV DATE
8.2	01/01/07	

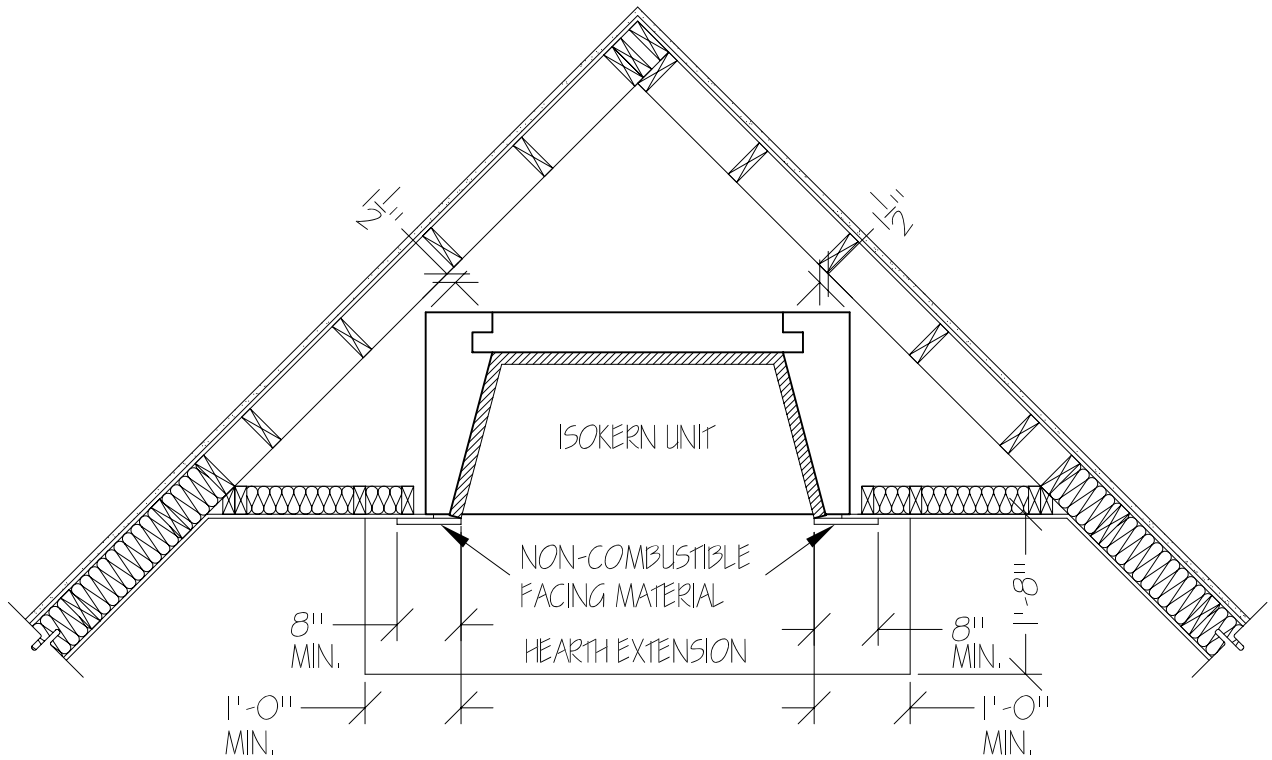


SLAB CUT AWAY FOR CLARITY

OFFSET SUPPORT COLUMNS OMITTED FOR CLARITY



TITLE		
2-STORY STACKED UNITS		
DWG NUMBER	RELEASE DATE	REV DATE
9.1	01/01/07	



NOTE: DO NOT INSULATE STUDS  
ADJACENT TO THE FIREPLACE

TITLE		CORNER LAYOUT	
DWG NUMBER	9.2	RELEASE DATE	01/01/07
		REV DATE	