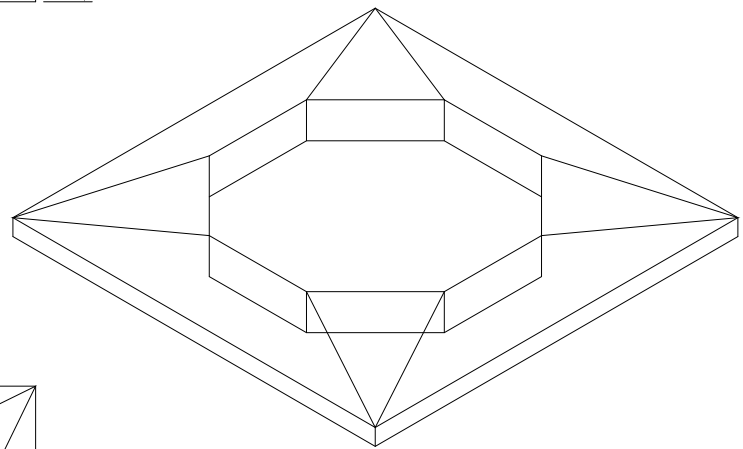


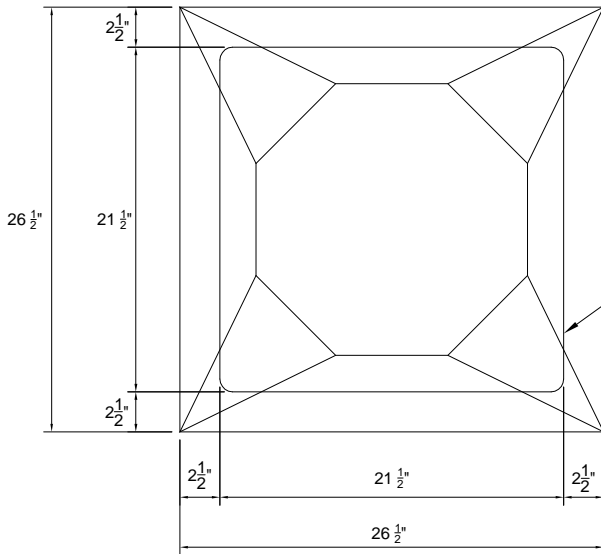
SECTION



ELEVATION



ISOMETRIC VIEW



OUTLINE OF FLUE CASING BEYOND



Fireplaces and Chimney Systems
A PRODUCT OF EARTH CORE INDUSTRIES, LLC

6899 PHILLIPS INDUSTRIAL BLVD
JACKSONVILLE, FLORIDA 32256
TEL (904) 363-3417
FAX (904) 363-3408
www.isokern.net

DWG. NO.

SCALE

DM1.6

1" = 1'-0"

DESCRIPTION

DM 54 -Crown Cap Small

DATE

DB:

09/01/2009

JMK

REVISIONS

BY

REVISIONS	BY