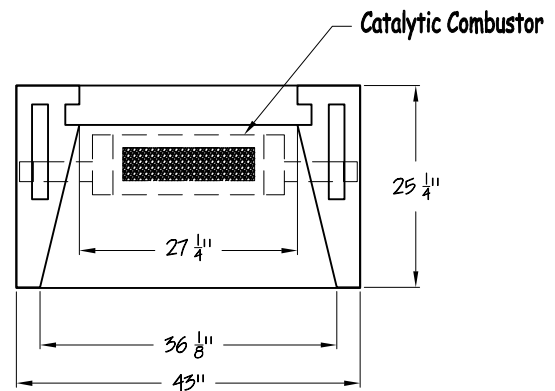


SECTION A-A

FRONT VIEW

PLAN, SECTION and ELEVATION of  
GreenTech S 36C FIREPLACE



PLAN VIEW



Fireplaces and Chimney Systems  
A PRODUCT OF EARTH CORE INDUSTRIES, LLC

6899 PHILLIPS INDUSTRIAL BLVD  
JACKSONVILLE, FLORIDA 32256  
TEL (904) 363-3417  
FAX (904) 363-3408  
www.isokern.net

DWG. NO.

GT1.1

SCALE

$\frac{1}{2}'' = 1'-0''$

GreenTech - S 36C  
EPA Phase II Approved

DATE

02/15/2010

DB:

JMK

REVISIONS

BY

REVISIONS	BY