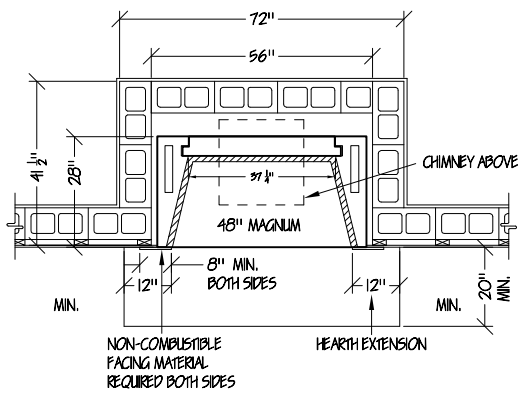


CHIMNEY MAY TOUCH WOOD
SLIDS FOR "ZERO CLEARANCE"
TO COMBUSTIBLES



NON-COMBUSTIBLE
FACING MATERIAL
REQUIRED BOTH SIDES

NOTE
KEEP ALL INSULATION 3\"/>



Fireplaces and Chimney Systems
A PRODUCT OF EARTHCORE INDUSTRIES, LLC

6899 PHILLIPS INDUSTRIAL BLVD
JACKSONVILLE, FLORIDA 32256
TEL (904) 363-3417
FAX (904) 363-3408
www.isokern.net

DWG. NO.	SCALE
1.7	1/4" = 1'-0"
DESCRIPTION	
CMU FRAMING	
DATE	DB:
06/25/2010	JMK

REVISIONS	BY
07/07/2010	JMK