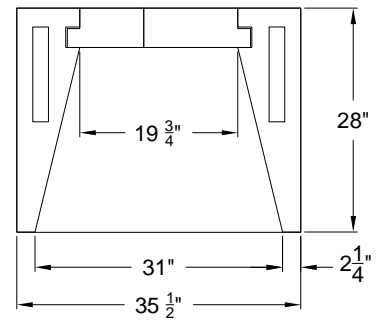


SECTION A-A

FRONT VIEW



PLAN VIEW

PLAN, SECTION and ELEVATION of ISOKERN 28 FIREPLACE

SCALE: 3/4" = 1'-0"



Fireplaces and Chimney Systems
A PRODUCT OF EARTHCORE INDUSTRIES, LLC

6899 PHILLIPS INDUSTRIAL BLVD
JACKSONVILLE, FLORIDA 32256
TEL (904) 363-3417
FAX (904) 363-3408
www.isokern.net

DWG. NO.

M1.1

SCALE

1/2" = 1'-0"

DESCRIPTION

Magnum 28

DATE

09/01/2009

DB:

JMK

REVISIONS BY

REVISIONS	BY