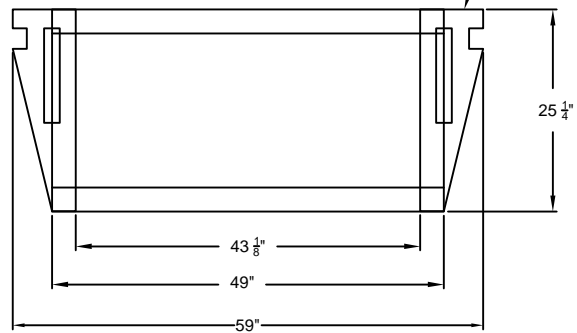


SECTION A-A

FRONT VIEW



PLAN VIEW



Fireplaces and Chimney Systems
A PRODUCT OF EARTH CORE INDUSTRIES, LLC

6899 PHILLIPS INDUSTRIAL BLVD
JACKSONVILLE, FLORIDA 32256
TEL (904) 363-3417
FAX (904) 363-3408
www.isokern.net

DWG. NO.	SCALE	REVISIONS	BY
VF2.2	$\frac{1}{2}'' = 1'-0''$		
DESCRIPTION			
Vent-Free 42 - See Thru			
DATE	DB:		
09/01/2009	JMK		