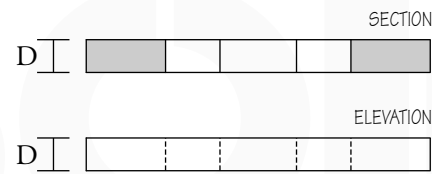
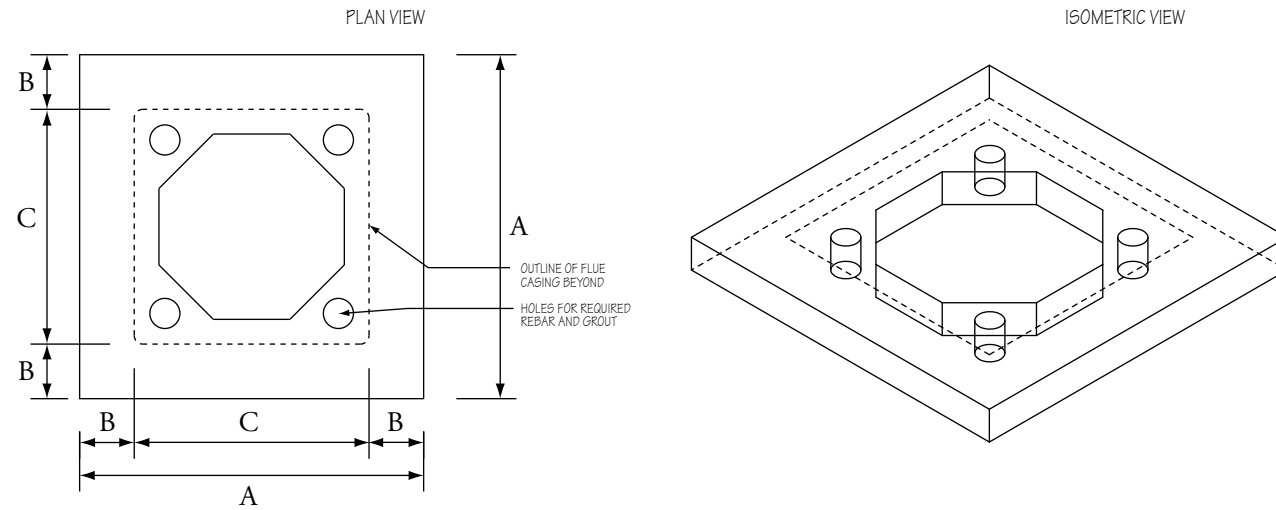


Brick Ledge Component

Dimensions / Weight



	A	B	C	D
Brick Ledge	31 1/2"	5"	21 1/2"	3"

weight*

Brick Ledge : 115 lbs.